

Pfaff  
Mauser Spezial 9651



**MAUSER  
SPEZIAL<sup>®</sup> 9651**

## **Bestandteileliste**

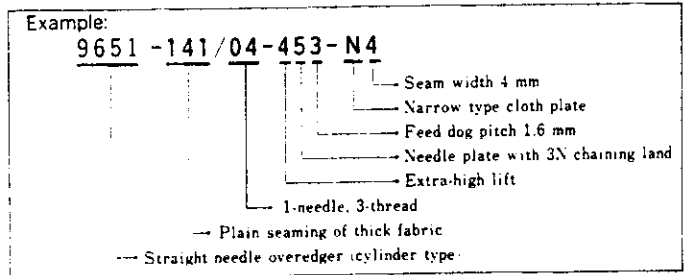
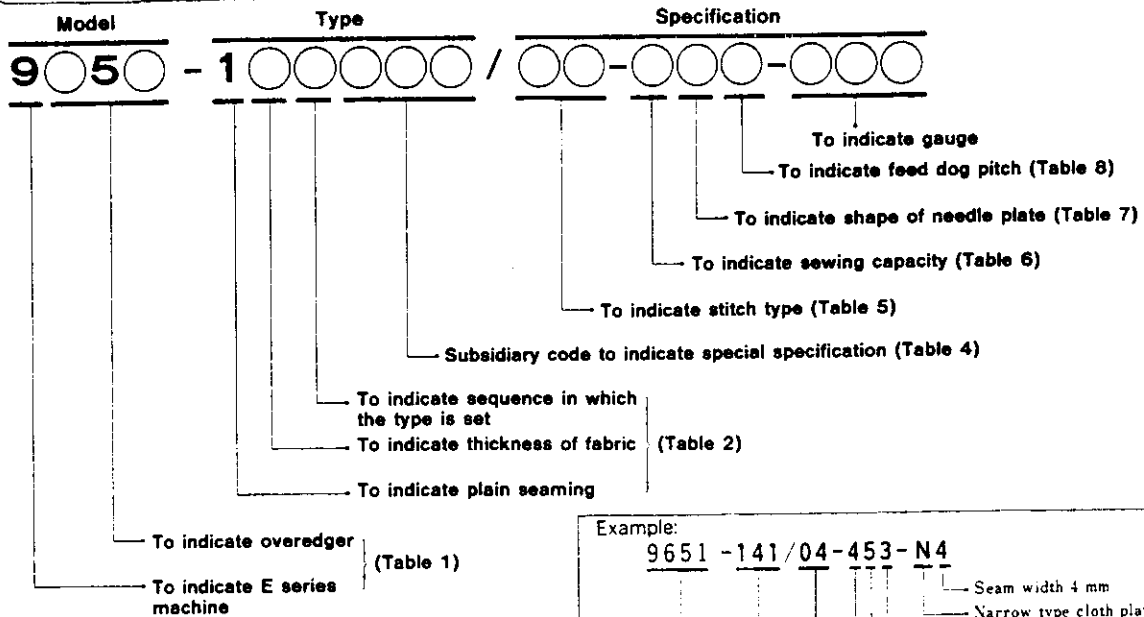
List of spare parts

Liste de pièces détachées

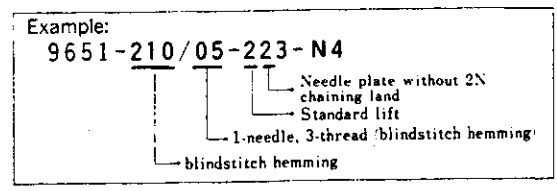
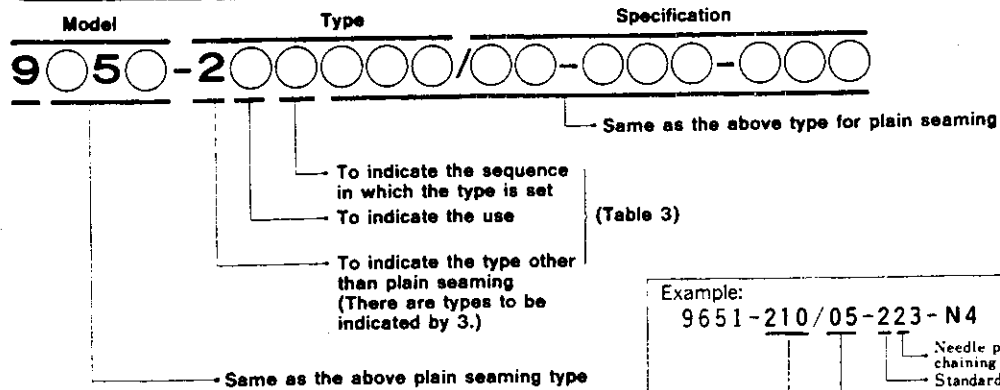
Lista de piezas de repuesto

# TYPE INDICATION METHOD FOR 9652, 9651, 9656A, AND 9656

## Indication Method for Plain Seaming Type

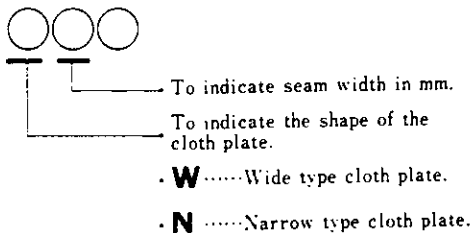


## Indication Method for Type Other Than Plain Seaming

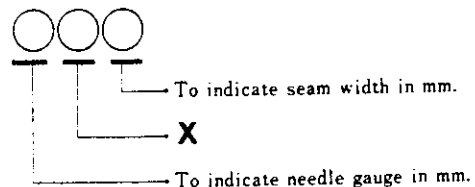


## Method of Indicating Gauge

**1-needle:** Using two figures, indication is made, as follows:



**2-needle:** Using three figures, indication is made, as follows:



**Code No. and Meaning of Model Table 1**

Code No.	Meaning
9652	Straight needle overedger (standard type)
9651	Straight needle overedger (cylinder type)
9656A	Curved needle overedger (standard type)
9656	Curved needle overedger (old type)

**Code No. and Meaning of Plain Seaming Type Table 2**

Code No.	Meaning
11○	Plain seaming of extra-light weight fabric
12○	Plain seaming of light to medium weight fabrics
13○	Plain seaming of light to medium weight fabrics
14○	Plain seaming of heavy weight fabric
15○	Plain seaming of extra-heavy weight fabric
18○	Babk-latching
19○	Special cup-seaming

**Code No. and Meaning of Type Other Than Plain Seaming Table 3**

Code No.	Meaning
21○	Blindstitch hemming
22○	Serging
23○	Turn-down hemming
24○	Shirring
25○	Tape inserting
26○	Zipper attaching
27○	Toe-closing
28○	—
29○	Special lace runner
35○	Piping

**Type Subsidiary Code No. and Meaning Table 4**

Code No.	Meaning
T	Parts for stretchable thread chainare used.
P2	Piping binder is attached.
P1	Piping binder is attachable. (Piping binder is available on order.)
M	High lift type 2-needle machine
F1	Floating presser arm is used. (differs in presser arm)
K	Angled upper knife is used. (differs in upper knife)
Z	DC x 1 (needle) is used. (differs in needle)
C	Differential ratio 1 : 3 (differs in differential ratio)

Note: When there are combined more than two of the above special specifications, the above subsidiary code Nos. are indicated in plurality, using two or three figures. Example: MP2, MC, etc.)

**Code No. and Meaning of Seam Type Table 5**

Code No.	Meaning
04	1-needle, 3-thread
05	1-needle, 3-thread (blindstitch hemming)
03	1-needle, 2-thread (serging)
12	2-needle, mock-safety stitch
14	2-needle, 514 stitch

**Code No. and Meaning of Sewing Capacity Table 6**

Code No.	Meaning
1	Low lift
2	Standard lift
3	High lift
4	Extra-high lift

**Code No. and Meaning of Needle Plate Table 7**

Code No.	Meaning
0	1-row or plain
1	With 2N chaining land
2	Without 2N chaining land
3	With 2W chaining land
4	Without 2W chaining land
5	With 3N chaining land
6	Without 3N chaining land
7	With 3W chaining land
8	Without 3W chaining land
9	Special type

**Code No. and Meaning of Feed Dog Pitch Table**

Code No.	Meaning
0	With rubber, special
1	Feed dog pitch 1.0 mm
2	Feed dog pitch 1.25 mm
3	Feed dog pitch 1.6 mm
4	Feed dog pitch 2.0 mm
5	Feed dog pitch 2.5 mm
6	Feed dog pitch 3.0 mm

**Achtung!**

Ersatzteile bitte nur mit den im Index aufgeführten **PFAFF-NUMMERN** Bestellen (siehe Seiten 47 bis 50).

**Important note:**

For spare part orders please only use the **PFAFF-NUMBERS** listed in the index (pages 47 to 50).

**Important!**

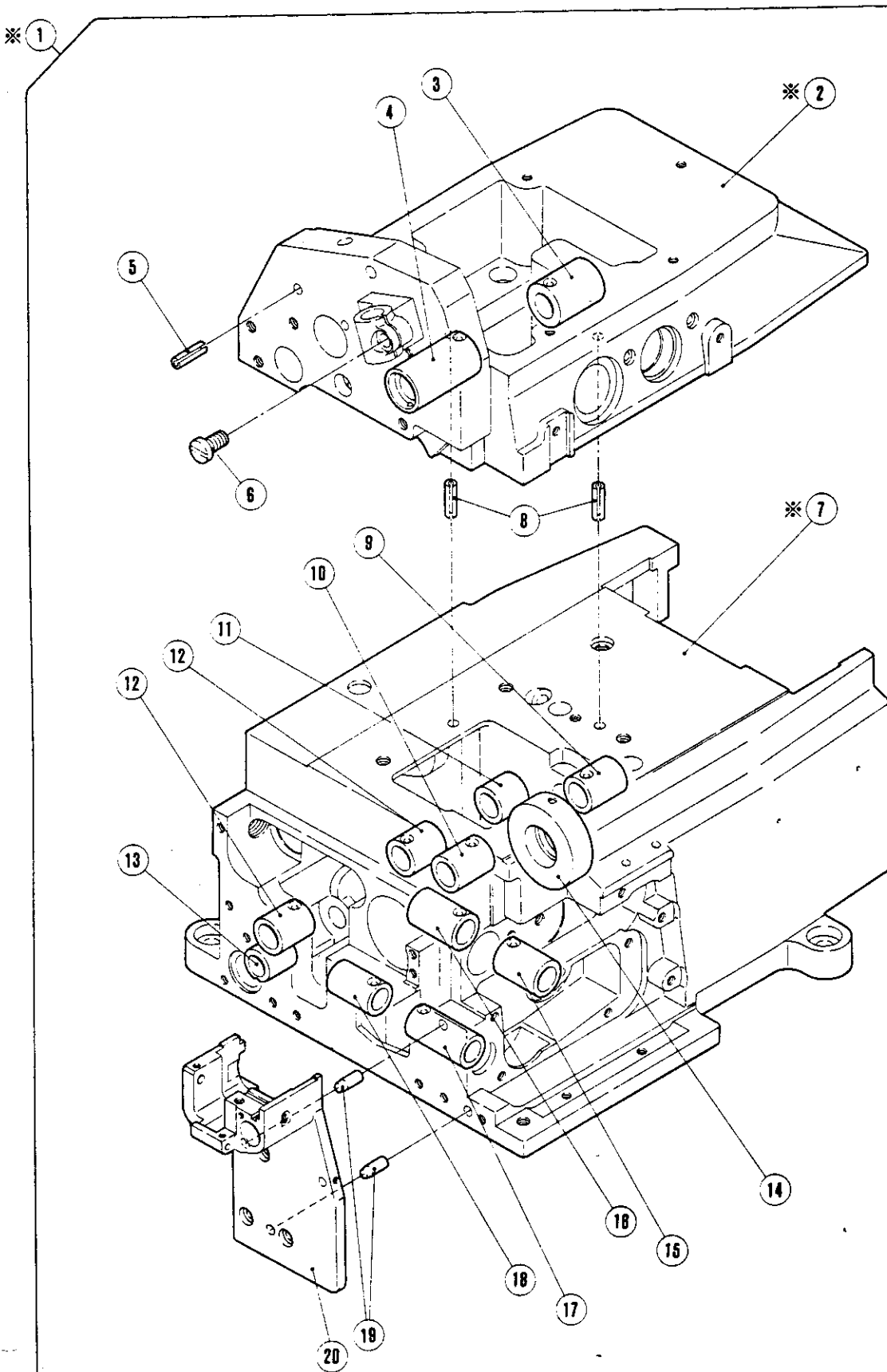
Veillez commander les pièces de rechange uniquement avec leur référence complète précisée à l'index (pages 47 à 50).

**Atencion!**

Sírvanse hacer sus pedidos sólo con los **NUMEROS-PFAFF** indicados en el índice ( véanse las páginas 47 à 50 ).

<b>TABLE OF CONTENTS</b>		PAGE
*****		
MACHINE BED FRAME (1), (2)	-----	2- 5
COVER	-----	6- 7
CRANKSHAFT DRIVE MECHANISM (1), (2)	-----	8-11
NEEDLE DRIVE MECHANISM (1), (2)	-----	12-15
UPPER LOOPER DRIVE MECHANISM (1), (2)	-----	16-19
*****		
LOWER LOOPER DRIVE MECHANISM	-----	20-21
FEED MECHANISM (1), (2)	-----	22-25
KNIFE DRIVE MECHANISM	-----	26-27
PRESSER FOOT MECHANISM	-----	28-29
LUBRICATING MECHANISM	-----	30-31
*****		
H.R. DEVICE, BLINDHEMMING	-----	32-33
SPECIFIC PARTS	-----	34-35
SEMI-SUBMERGED INSTALLATION, ACCESSORIES	-----	36-37
THREAD STAND	-----	38-39

<b>GAUGE PARTS CONSTRUCTION CHARTS. GAUGE PARTS LISTS</b>		
*****		
GAUGE PARTS CONSTRUCTION CHART	-----	40-45
GAUGE PARTS LIST	-----	46
PART NUMBER INDEX	-----	47-50



Notice) Parts with mark ※ are not for sale.

# MACHINE BED FRAME(1)

MEMO

REF. NO.	PART NO.	NAME	QT.
1	<b>213000-CD</b>	MACHINE BED COMPLETE	1
2	<b>213006-CD</b>	MACHINE ARM	1
3	<b>210233</b>	BUSHING	1
4	<b>210234</b>	BUSHING	1
5	<b>201002</b>	PIN	1
6	<b>5357</b>	SCREW	1
7	<b>213001-CD</b>	MACHINE BED	1
8	<b>201002</b>	PIN	2
9	<b>210067</b>	BUSHING	1
10	<b>210068</b>	BUSHING	1
11	<b>210143</b>	BUSHING	1
12	<b>213003</b>	BUSHING	2
13	<b>213004</b>	BUSHING	1
14	<b>213002</b>	BUSHING	1
15	<b>210101</b>	BUSHING	1
16	<b>210102</b>	BUSHING	1
17	<b>204089</b>	BUSHING	1
18	<b>210125</b>	BUSHING	1
19	<b>240094</b>	PIN	2
20	<b>213005-CD</b>	BRACKET	1

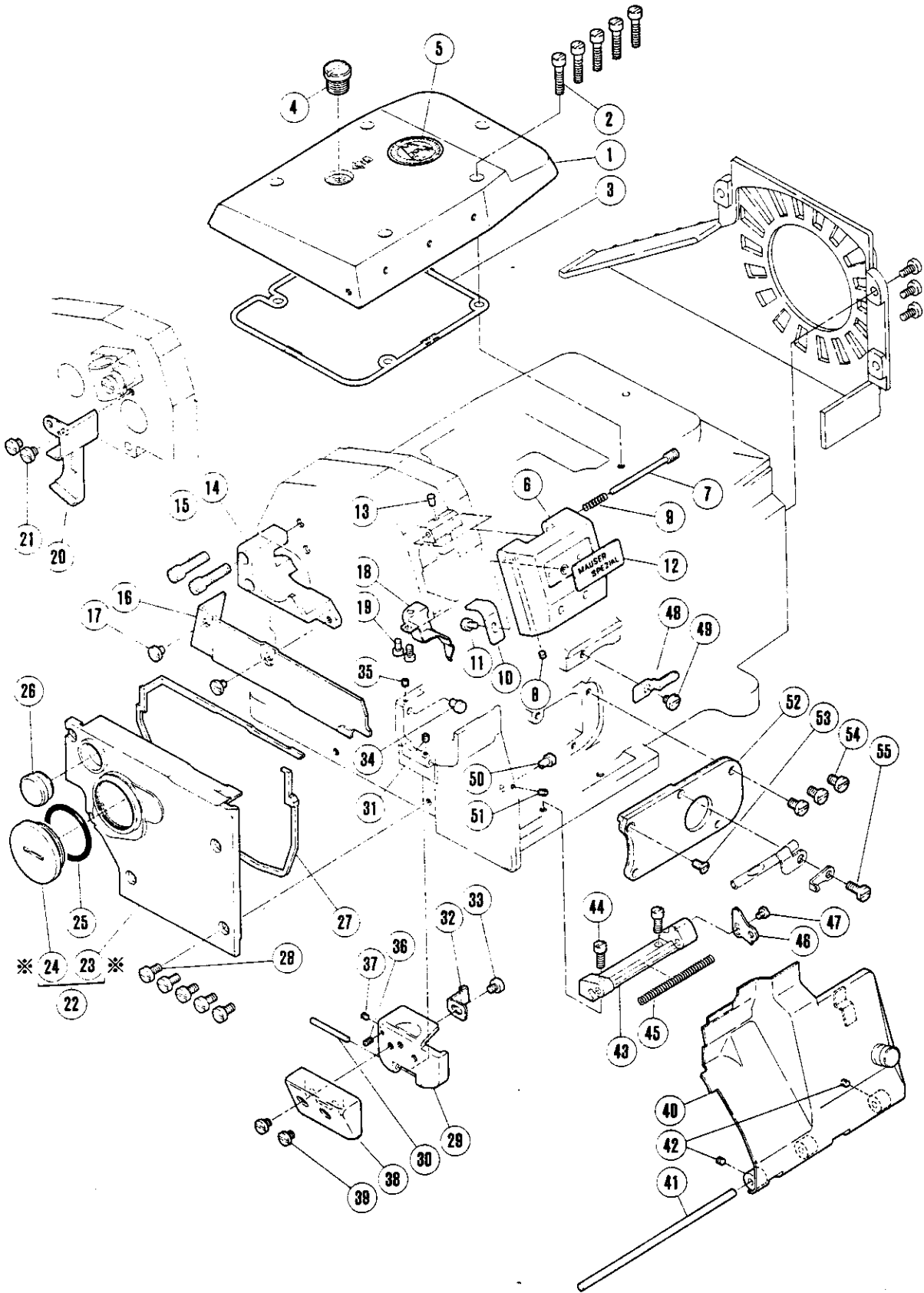




# MACHINE BED FRAME(2)

MEMO

REF. NO.	PART NO.	NAME	QT.
1	<b>5078</b>	SCREW	4
2	<b>230047</b>	NAME PLATE	1
3	<b>210679</b>	PIN	2
4	<b>210527</b>	NAME PLATE	1
5	<b>240052</b>	PLUG	1
6	<b>206665</b>	PIN	1
7	<b>202175</b>	OIL WICK	1
8	<b>210528</b>	OIL PIPE	1
9	<b>213008-CD</b>	MACHINE ARM	1
10	<b>5163</b>	SCREW	3
11	<b>210002</b>	GASKET	1
12	<b>5332A</b>	SCREW	3
13	<b>202526</b>	NAME PLATE	1
14	<b>5434</b>	SCREW	1
15	<b>200138</b>	WASHER	1
16	<b>5556</b>	SCREW	1
17	<b>5117</b>	SCREW	3
18	<b>204006</b>	BED PIN	4
19	<b>212281</b>	TYPE PLATE	1
20	<b>210679</b>	PIN	2
21	<b>8421</b>	OIL MARK	1



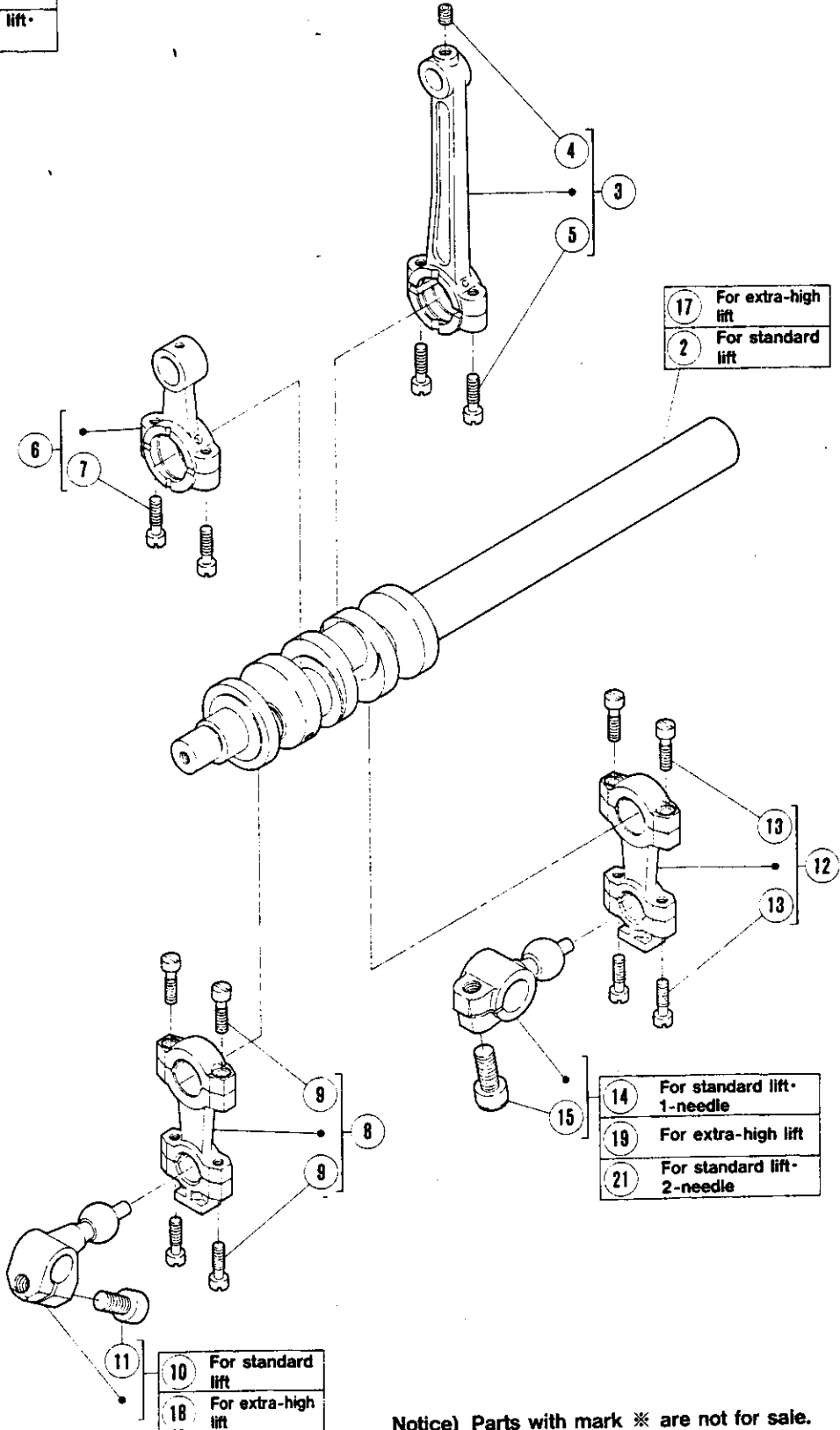
Notice) Parts with mark \* are not for sale.

# COVERS

MEMO

REF. NO.	PART NO.	NAME	QT.
1	<b>211799-CD</b>	TOP COVER	1
2	<b>5095</b>	SCREW	5
3	<b>210035</b>	O RING	1
4	<b>5198</b>	SCREW	1
5	<b>211313</b>	NAME PLATE	1
6	<b>211959-BD</b>	NEEDLE THREAD COVER	1
7	<b>5589</b>	PIN-SCREW	1
8	<b>5292</b>	SCREW	1
9	<b>211958</b>	SPRING	1
10	<b>210223</b>	SPRING	1
11	<b>1218</b>	SCREW	1
12	<b>205724</b>	NAME PLATE	1
13	<b>198192</b>	CUSHION RUBBER	1
14	<b>212006</b>	BRACKET	1
15	<b>5163</b>	SCREW	2
16	<b>213075</b>	FABRIC GUARD	1
17	<b>2905</b>	SCREW	2
18	<b>213076</b>	COVER	1
19	<b>1234</b>	SCREW	2
20	<b>213077-91</b>	COVER	1
21	<b>2905</b>	SCREW	2
22	<b>213261-CD</b>	SIDE COVER COMPLETE	1
23	<b>213066</b>	SIDE COVER	1
24	<b>213069</b>	CAP	1
25	<b>240174</b>	O RING	1
26	<b>240162</b>	PLUG	1
27	<b>213067</b>	GASKET	1
28	<b>5117</b>	SCREW	5
29	<b>213062</b>	CAP	1
30	<b>306920</b>	PIN	1
31	<b>5292</b>	SCREW	1
32	<b>213063</b>	HOOK SPRING	1
33	<b>5156</b>	SCREW	1
34	<b>213273</b>	LATCH	1
35	<b>5292</b>	SCREW	1
36	<b>5427</b>	SCREW	1
37	<b>5292</b>	SCREW	1
38	<b>213094-91</b>	COVER	1
39	<b>2905</b>	SCREW	2
40	<b>213070-91</b>	FRONT COVER	1
41	<b>240043</b>	PIN	1
42	<b>5292</b>	SCREW	2
43	<b>213262</b>	HINGE	1
44	<b>5002</b>	SCREW	2
45	<b>240044</b>	SPRING	1
46	<b>213263</b>	SPACER	1
47	<b>2921</b>	SCREW	1
48	<b>210044</b>	HOOK SPRING	1
49	<b>2905</b>	SCREW	1
50	<b>213064</b>	LATCH	1
51	<b>5292</b>	SCREW	1
52	<b>213026-91</b>	COVER	1
53	<b>5170</b>	SCREW	1
54	<b>4009-1</b>	SCREW	3
55	<b>5345</b>	SCREW	1

- ※ 1 For standard lift-1-needle
- ※ 16 For extra-high lift
- ※ 20 For standard lift-2-needle

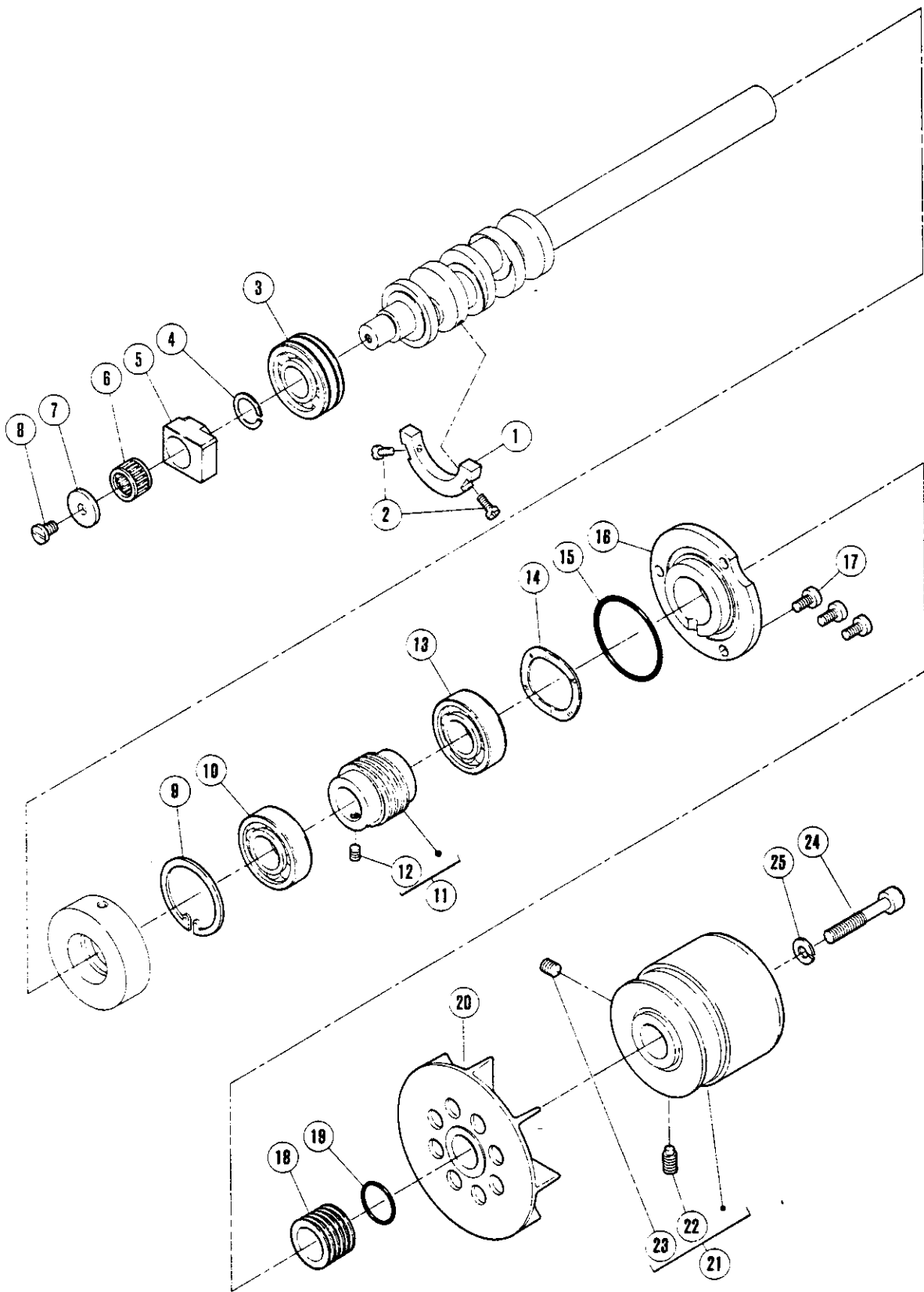


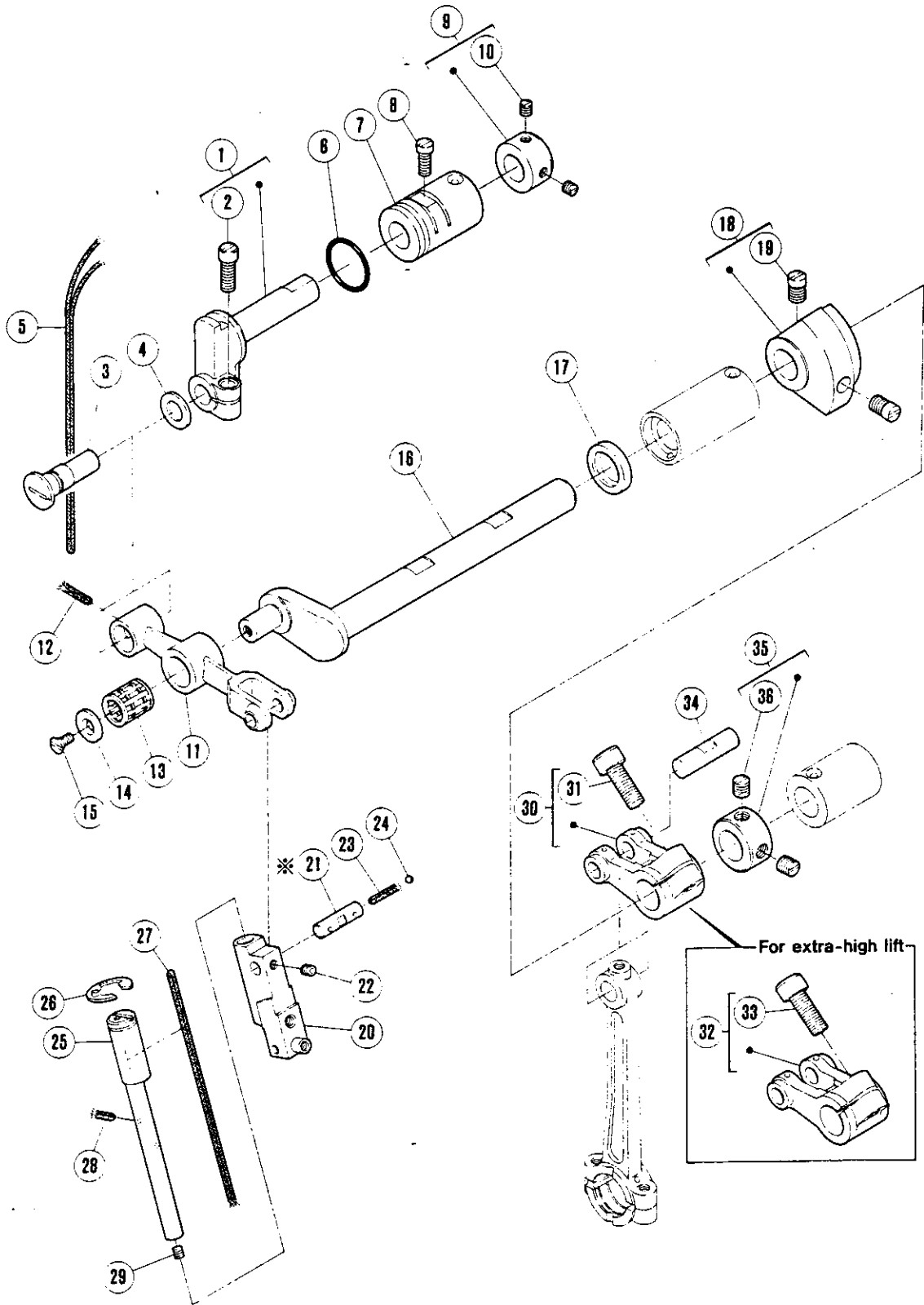
Notice) Parts with mark ※ are not for sale.

# CRANKSHAFT DRIVE MECHANISM(1)

MEMO

REF. NO.	PART NO.	NAME	QT.
1	<b>213274-91Y</b>	CLANK SHAFT COMPLETE	1
2	<b>213010-91</b>	CRANKSHAFT	1
3	<b>213012-92</b>	CONNECTION	1
4	<b>5461</b>	SCREW	1
5	<b>5376</b>	SCREW	2
6	<b>210173</b>	CONNECTION/UPPER KNIFE DRIVE	1
7	<b>5376</b>	SCREW	2
8	<b>210091</b>	CONNECTION/LOWER LOOPER DRIVE	1
9	<b>5376</b>	SCREW	4
10	<b>213013-92</b>	CRANK	1
11	<b>5457</b>	SCREW	1
12	<b>210091</b>	CONNECTION/LOWER LOOPER DRIVE	1
13	<b>5376</b>	SCREW	4
14	<b>210733</b>	CRANK/UPPER LOOPER/STD LIFT	1
15	<b>5457</b>	SCREW	1
16	<b>213274A91Y</b>	CRANKSHAFT COMPLETE	1
17	<b>213010A91</b>	CRANKSHAFT	1
3	<b>213012-92</b>	CONNECTION	1
4	<b>5461</b>	SCREW	1
5	<b>5376</b>	SCREW	2
6	<b>210173</b>	CONNECTION/UPPER KNIFE DRIVE	1
7	<b>5376</b>	SCREW	2
8	<b>210091</b>	CONNECTION/LOWER LOOPER DRIVE	1
9	<b>5376</b>	SCREW	4
18	<b>213013A92</b>	CRANK	1
11	<b>5457</b>	SCREW	1
12	<b>210091</b>	CONNECTION/LOWER LOOPER DRIVE	1
13	<b>5376</b>	SCREW	4
19	<b>210731</b>	CRANK/UPPER LOOPER	1
15	<b>5457</b>	SCREW	1
20	<b>213274B91Y</b>	CRANKSHAFT COMPLETE	1
2	<b>213010-91</b>	CRANKSHAFT	1
3	<b>213012-92</b>	CONNECTION	1
4	<b>5461</b>	SCREW	1
5	<b>5376</b>	SCREW	2
6	<b>210173</b>	CONNECTION/UPPER KNIFE DRIVE	1
7	<b>5376</b>	SCREW	2
8	<b>210091</b>	CONNECTION/LOWER LOOPER DRIVE	1
9	<b>5376</b>	SCREW	4
10	<b>213013-92</b>	CRANK	1
11	<b>5457</b>	SCREW	1
12	<b>210091</b>	CONNECTION/LOWER LOOPER DRIVE	1
13	<b>5376</b>	SCREW	4
21	<b>210732</b>	CRANK/UPPER LOOPER	1
15	<b>5457</b>	SCREW	1





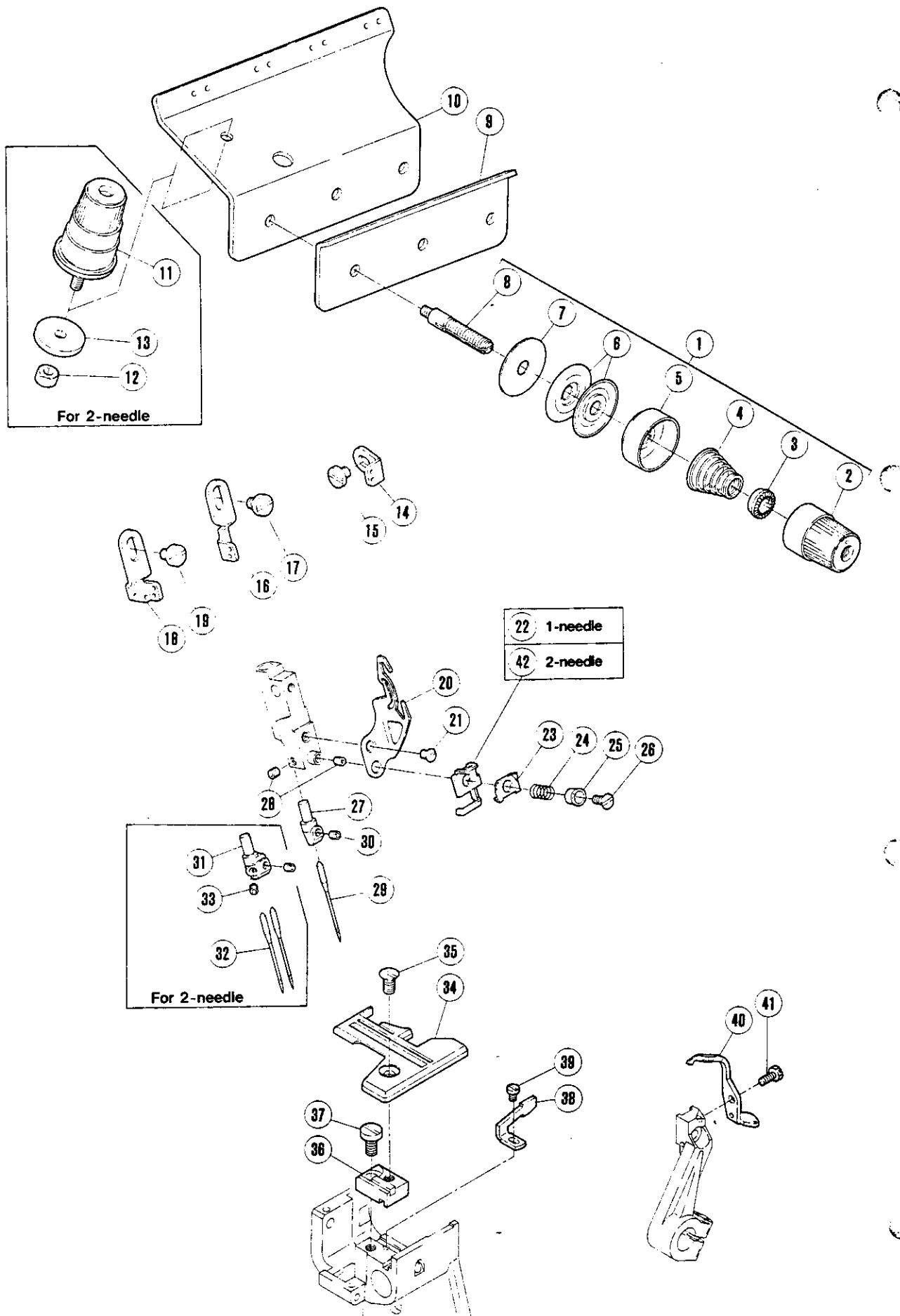
Notice) Parts with mark \* are not for sale.

# NEEDLE DRIVE MECHANISM(1)

MEMO

REF. NO.	PART NO.	NAME	QT.
1	<b>210239</b>	HOLDER	1
2	<b>5485</b>	SCREW	1
3	<b>210240</b>	PIN	1
4	<b>210241</b>	WASHER	1
5	<b>212186</b>	OIL WICK	1
6	<b>210057</b>	O RING	1
7	<b>210242</b>	BUSHING	1
8	<b>5325</b>	SCREW	1
9	<b>201056</b>	COLLAR	1
10	<b>1457</b>	SCREW	2
11	<b>210235</b>	LEVER/NEEDLE DRIVE	1
12	<b>202175</b>	OIL WICK	1
13	<b>210238-2</b>	NEEDLE BEARING	1
14	<b>210236</b>	WASHER	1
15	<b>5022</b>	SCREW	1
16	<b>210232</b>	SHAFT/NEEDLE DRIVE	1
17	<b>210069</b>	OIL SEAL	1
18	<b>210511</b>	BALANCE WEIGHT	1
19	<b>5059</b>	SCREW	2
20	<b>213015</b>	NEEDLE HOLDER GUIDE	1
21	<b>210237A</b>	PIN	1
22	<b>5292</b>	SCREW	1
23	<b>202174</b>	OIL WICK	1
24	<b>240148</b>	PLUG	1
25	<b>210244</b>	STUD	1
26	<b>202577</b>	STOP RING	1
27	<b>202175</b>	OIL WICK	1
28	<b>202174</b>	OIL WICK	1
29	<b>5292</b>	SCREW	1
30	<b>210230</b>	CRANK/NEEDLE DRIVE/STD LIFT	1
31	<b>5457</b>	SCREW	1
32	<b>210231</b>	CRANK/NEEDLE DRIVE	1
33	<b>5457</b>	SCREW	1
34	<b>204146</b>	PIN	1
35	<b>201635</b>	COLLAR	1
36	<b>5060</b>	SCREW	2





# NEEDLE DRIVE MECHANISM(2)

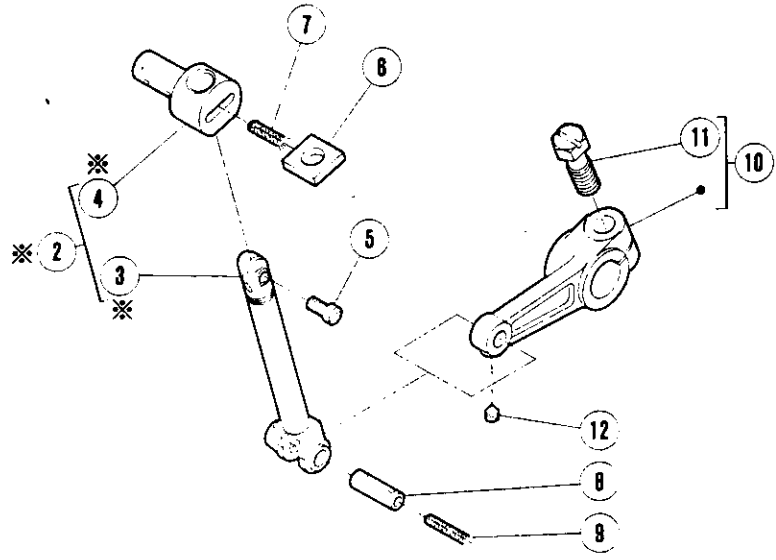
MEMO

REF. NO.	PART NO.	NAME	QT.
1	<b>210529-BA</b>	THREAD TENTION COMPLETE	1
2	<b>208447-BA</b>	POST NUT	1
3	<b>208448</b>	SPRING BUSHING	1
4	<b>201037</b>	TENSION SPRING (HEAVY)	1
5	<b>208450-BA</b>	CAP	1
6	<b>210319</b>	DISC	2
7	<b>208449</b>	FELT	1
8	<b>5082A</b>	SCREW STUD	1
9	<b>211800</b>	TENTION GUIDE	1
10	<b>211801</b>	'THREAD TENTION COMPLETE'	1
11	<b>210529-BA</b>	THREAD TENTION COMPLETE	1
12	<b>5137</b>	NUT	1
13	<b>201880</b>	WASHER	1
14	<b>210089</b>	NEEDLE THREAD GUIDE RIGHT	1
15	<b>2905</b>	SCREW	1
16	<b>213251</b>	NEEDLE THREAD GUIDE RIGHT	1
17	<b>5535</b>	SCREW	1
18	<b>213252</b>	NEEDLE THREAD GUIDE LEFT	1
19	<b>5535</b>	SCREW	1
20	<b>213250</b>	NEEDLE THREAD TAKEUP	1
21	<b>5446</b>	SCREW	1
22	<b>212503</b>	BRACKET	1
23	<b>212504</b>	NEEDLE THREAD RETAINER	1
24	<b>210751</b>	SPRING	1
25	<b>210750</b>	GUIDE	1
26	<b>5022</b>	SCREW	2
27	<b>XXXXXX</b>	NEEDLE HOLDER	1
28	<b>5292</b>	SCREW	1
29	<b>XXXXXX</b>	NEEDLE	1
30	<b>5292</b>	SCREW	1
31	<b>XXXXXX</b>	NEEDLE HOLDER	1
32	<b>XXXXXX</b>	NEEDLE	1
33	<b>5292</b>	SCREW	1
34	<b>XXXXXX</b>	NEEDLE PLATE	1
35	<b>5484-HC</b>	SCREW	1
36	<b>213060-91</b>	BRACKET	1
37	<b>5117</b>	SCREW	1
38	<b>XXXXXX</b>	NEEDLE GUARD (FRONT)	1
39	<b>1333</b>	SCREW	1
40	<b>XXXXXX</b>	NEEDLE GURD (REAR)	1
41	<b>5635</b>	SCREW	1
42	<b>213259</b>	BRACKET	1

See page 46 for × × × × ×.

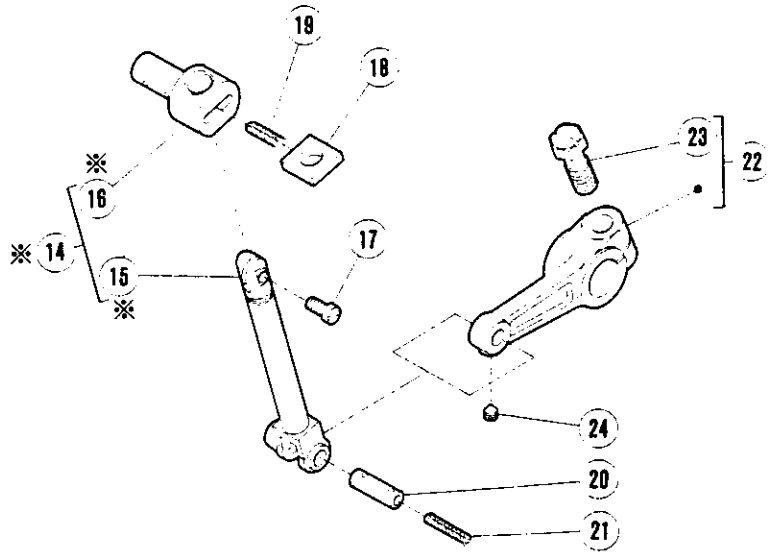
1

For standard lift



13

For extra-high lift

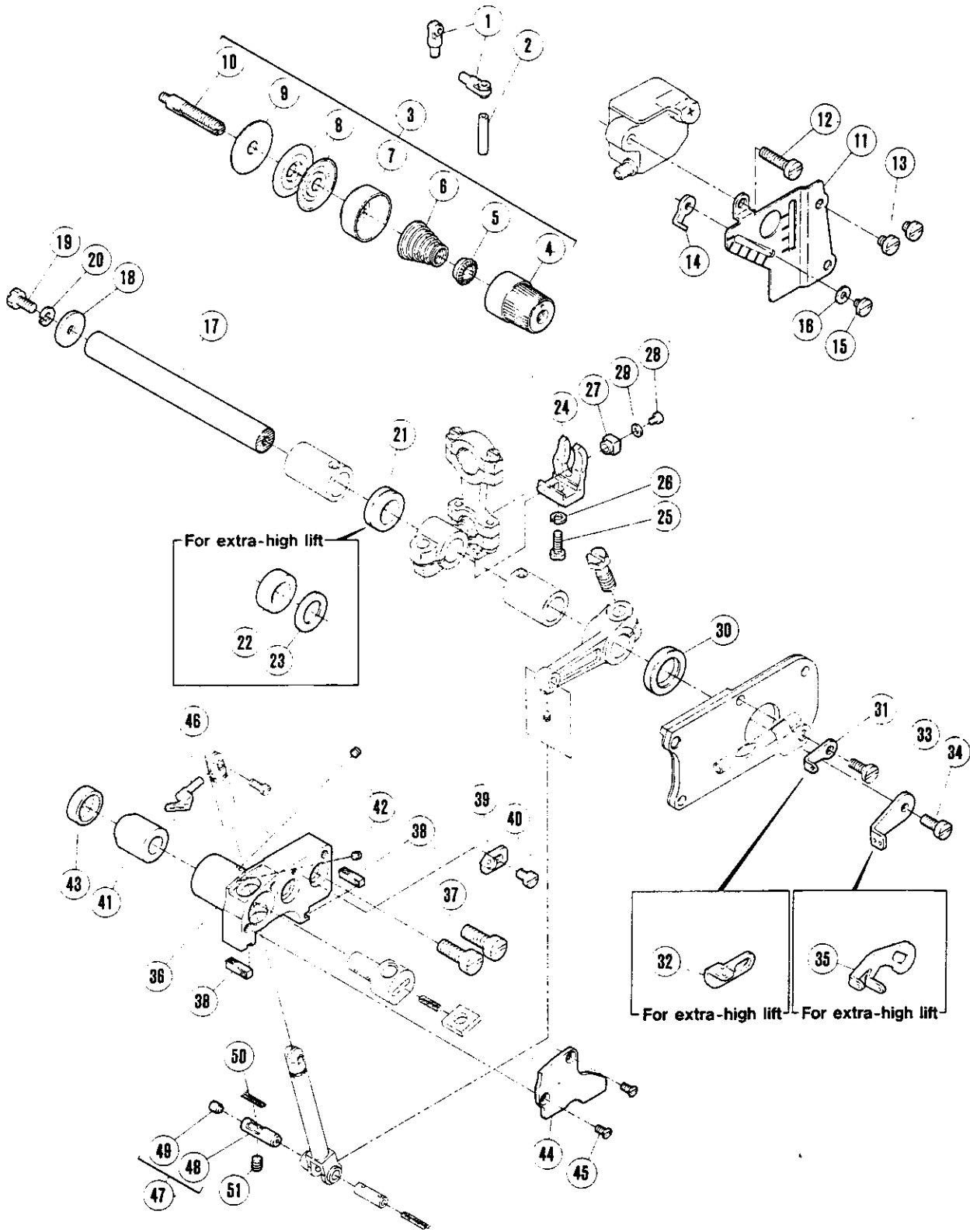


Notice) Parts with mark \* are not for sale.

# UPPER LOOPER DRIVE MECHANISM(1)

MEMO

REF. NO.	PART NO.	NAME	QT.
1	<b>213275-91Y</b>	UPPER LOOPER HOLDER ASSEMBLY	1
2	<b>213017-91</b>	UPPER LOOPER HOLDER ASSEMBLY	1
3	<b>213018-91</b>	UPPER LOOPER HOLDER	1
4	<b>213020</b>	GUIDE/UPPER LOOPER HOLDER	1
5	<b>7054</b>	SCREW	1
6	<b>179130-05</b>	OIL FELT	1
7	<b>202175</b>	OIL WICK	1
8	<b>213023</b>	PIN	1
9	<b>202176</b>	OIL WICK	1
10	<b>213022-92</b>	LEVER/UPPER LOOPER HOLDER	1
11	<b>5284</b>	SCREW	1
12	<b>5629</b>	SCREW	1
13	<b>213275A91Y</b>	UPPER LOOPER HOLDER ASSEMBLY	1
14	<b>213017-91</b>	UPPER LOOPER HOLDER ASSEMBLY	1
15	<b>213018-91</b>	UPPER LOOPER HOLDER	1
16	<b>213020</b>	GUIDE/UPPER LOOPER HOLDER	1
17	<b>7054</b>	SCREW	1
18	<b>179130-05</b>	OIL FELT	1
19	<b>202175</b>	OIL WICK	1
20	<b>213023</b>	PIN	1
21	<b>202176</b>	OIL WICK	1
22	<b>213022A92</b>	LEVER/UPPER LOOPER HOLDER	1
23	<b>5284</b>	SCREW	1
24	<b>5629</b>	SCREW	1

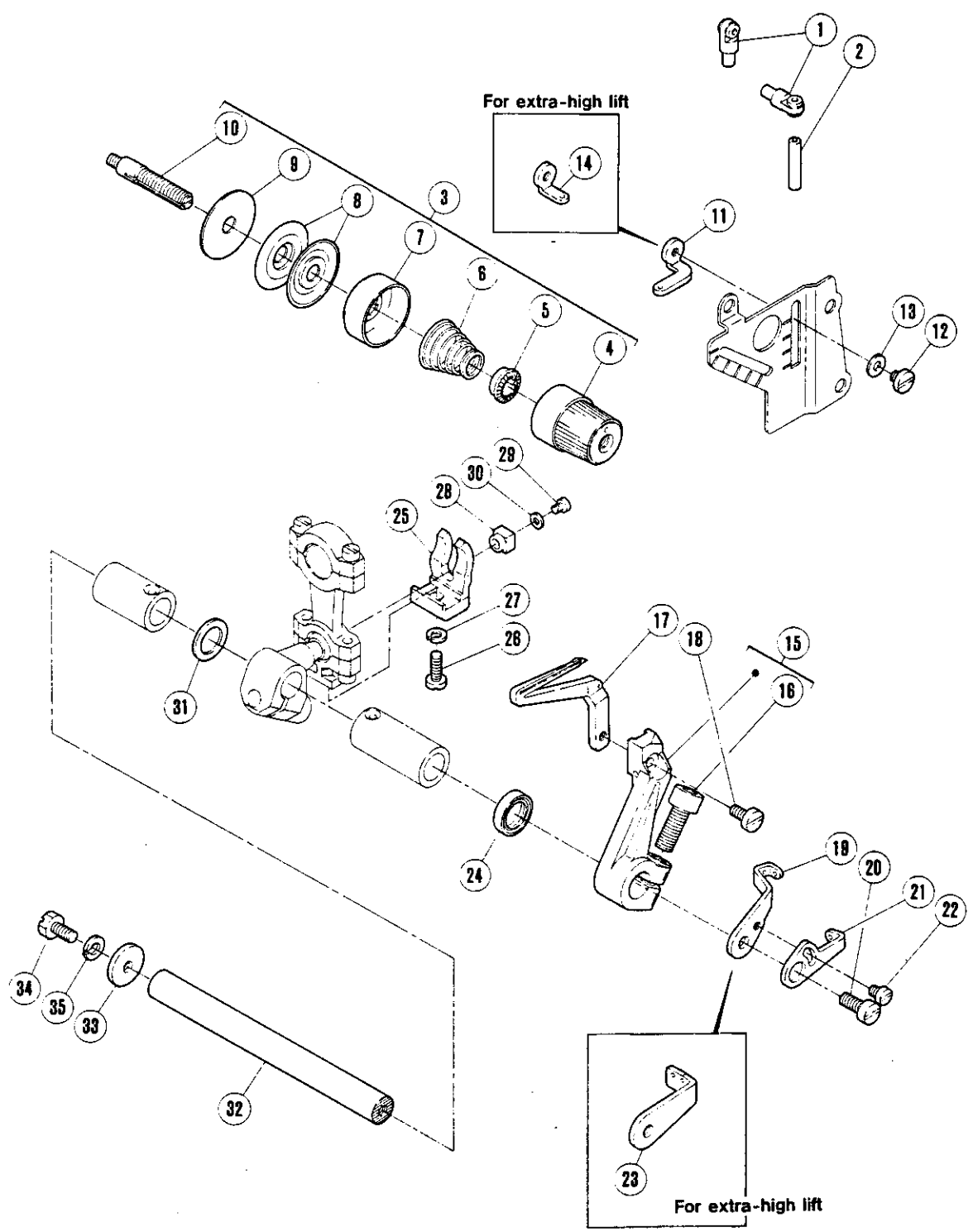


# UPPER LOOPER DRIVE MECHANISM(2)

MEMO

REF. NO.	PART NO.	NAME	QT.
1	201439A	EYELET	2
2	204657	THREAD TUBE	1
3	210531-BA	THREAD TENTION COMPLETE	1
4	208447-BA	POST NUT	1
5	208448	SPRING BUSHING	1
6	201068	TENSION SPRING (LIGHT)	1
7	208450-BA	CAP	1
8	210319	DISC	2
9	208449	FELT	1
10	5082A	SCREW STUD	1
11	210349	LOOPER THREAD GUIDE PLATE	1
12	5152	SCREW	1
13	2905	SCREW	2
14	210350	UPPER LOOPER THREAD GUIDE	1
15	5519	SCREW	1
16	202875	WASHER	1
17	210099A	SHAFT	1
18	210100	WASHER	1
19	2193	SCREW	1
20	202286	WASHER	1
21	210098	SPACER	1
22	210267	SPACER	1
23	206180	WASHER	1
24	210092	GUIDE/CONNECTION	1
25	5546	SCREW	1
26	202286	WASHER	1
27	210093	BLOCK/CONNECTION	1
28	1231	SCREW	1
29	210585	WASHER	1
30	210103	OIL SEAL	1
31	213256	THREAD GUIDE	1
32	213258	THREAD GUIDE	1
33	210351	UPPER LOOPER THREAD TAKEUP	1
34	2902	SCREW	1
35	211659A	THREAD TAKEUP	1
36	213024	BASE/UPPER LOOPER	1
37	5282	SCREW	2
38	240168	GASKET	2
39	213255	THREAD GUIDE	1
40	1229	SCREW	1
41	213021	BUSHING	1
42	5292	SCREW	1
43	240167	PLUG	1
44	213025	COVER	1
45	5437	SCREW	2
46	XXXXXX	UPPER LOOPER	1
47	179066-02	OIL RELEASE PLUG COMP.	1
48	179066-05	OIL RELEASE PLUG	1
49	240038	PLUG	1
50	202175	OIL WICK	1
51	5461	SCREW	1

See page 46 for ×××××.



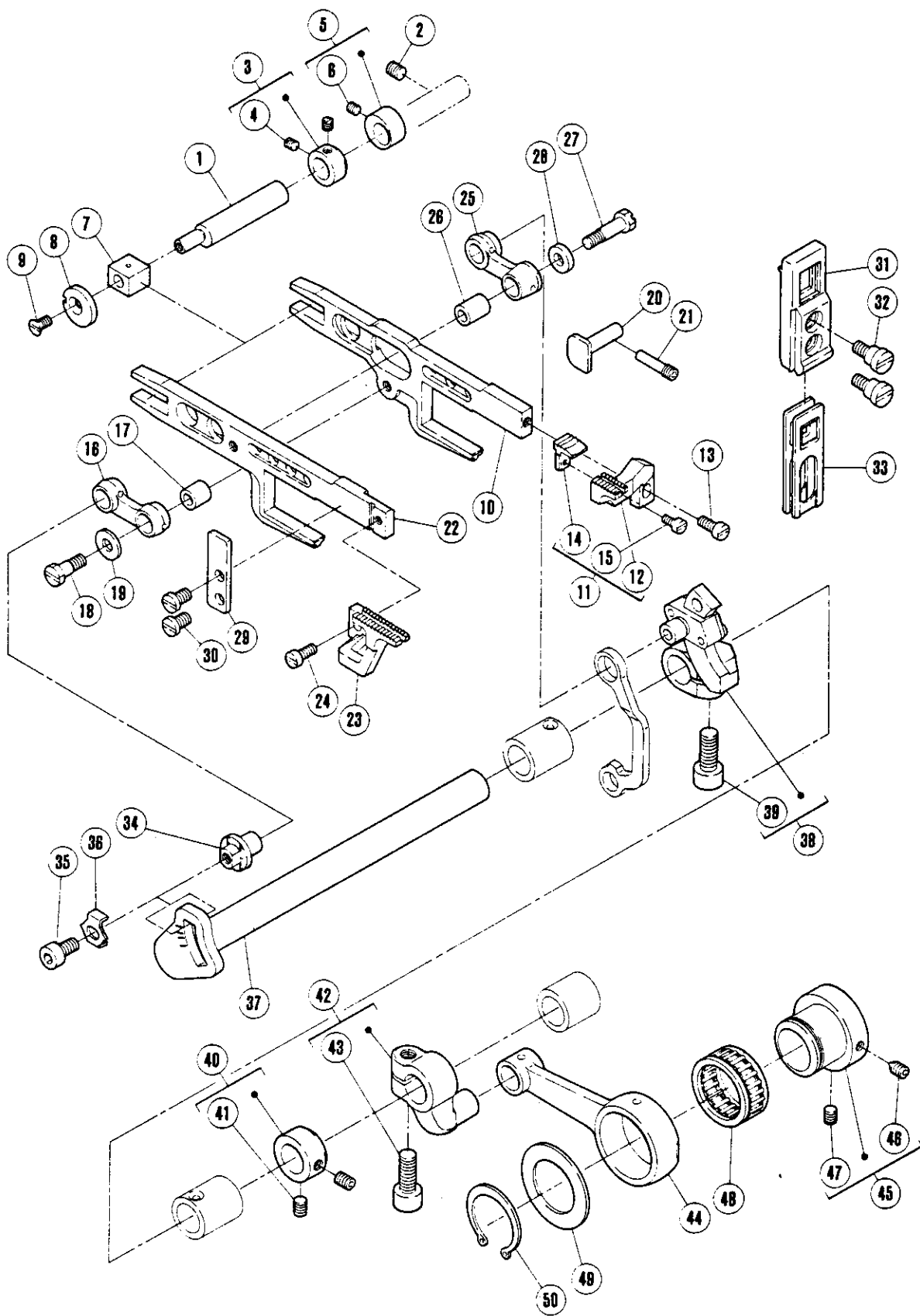
# LOWER LOOPER DRIVE MECHANISM

MEMO

REF. NO.	PART NO.	NAME	QT.
1	<b>201439A</b>	EYELET	2
2	<b>204657</b>	THREAD TUBE	1
3	<b>210530-BA</b>	THREAD TENTION COMPLETE	1
4	<b>208447-BA</b>	POST NUT	1
5	<b>208448</b>	SPRING BUSHING	1
6	<b>201086</b>	TENSION SPRING (MEDIUM)	1
7	<b>208450-BA</b>	CAP	1
8	<b>210319</b>	DISC	2
9	<b>208449</b>	FELT	1
10	<b>5082A</b>	SCREW STUD	1
11	<b>211391</b>	THREAD GUIDE RIGHT	1
12	<b>5519</b>	SCREW	1
13	<b>202875</b>	WASHER	1
14	<b>201089</b>	THREAD GUIDE (RIGHT)	1
15	<b>213029-92</b>	LOWER LOOPER LEVER	1
16	<b>5457</b>	SCREW	1
17	<b>XXXXXX</b>	LOWER LOOPER	1
18	<b>1202</b>	SCREW	1
19	<b>213254</b>	THREAD TAKEUP	1
20	<b>2902</b>	SCREW	1
21	<b>213253</b>	THREAD TAKEUP	1
22	<b>2921</b>	SCREW	1
23	<b>213257</b>	THREAD TAKEUP	1
24	<b>204052A</b>	OIL SEAL	1
25	<b>210092</b>	GUIDE/CONNECTION	1
26	<b>5546</b>	SCREW	1
27	<b>202286</b>	WASHER	1
28	<b>210093</b>	BLOCK/CONNECTION	1
29	<b>1231</b>	SCREW	1
30	<b>210585</b>	WASHER	1
31	<b>240102</b>	SPACER	1
32	<b>210123</b>	SHAFT/LOWER LOOPER LEVER	1
33	<b>204107</b>	WASHER	1
34	<b>2193</b>	SCREW	1
35	<b>202286</b>	WASHER	1

See page 46 for × × × × ×.



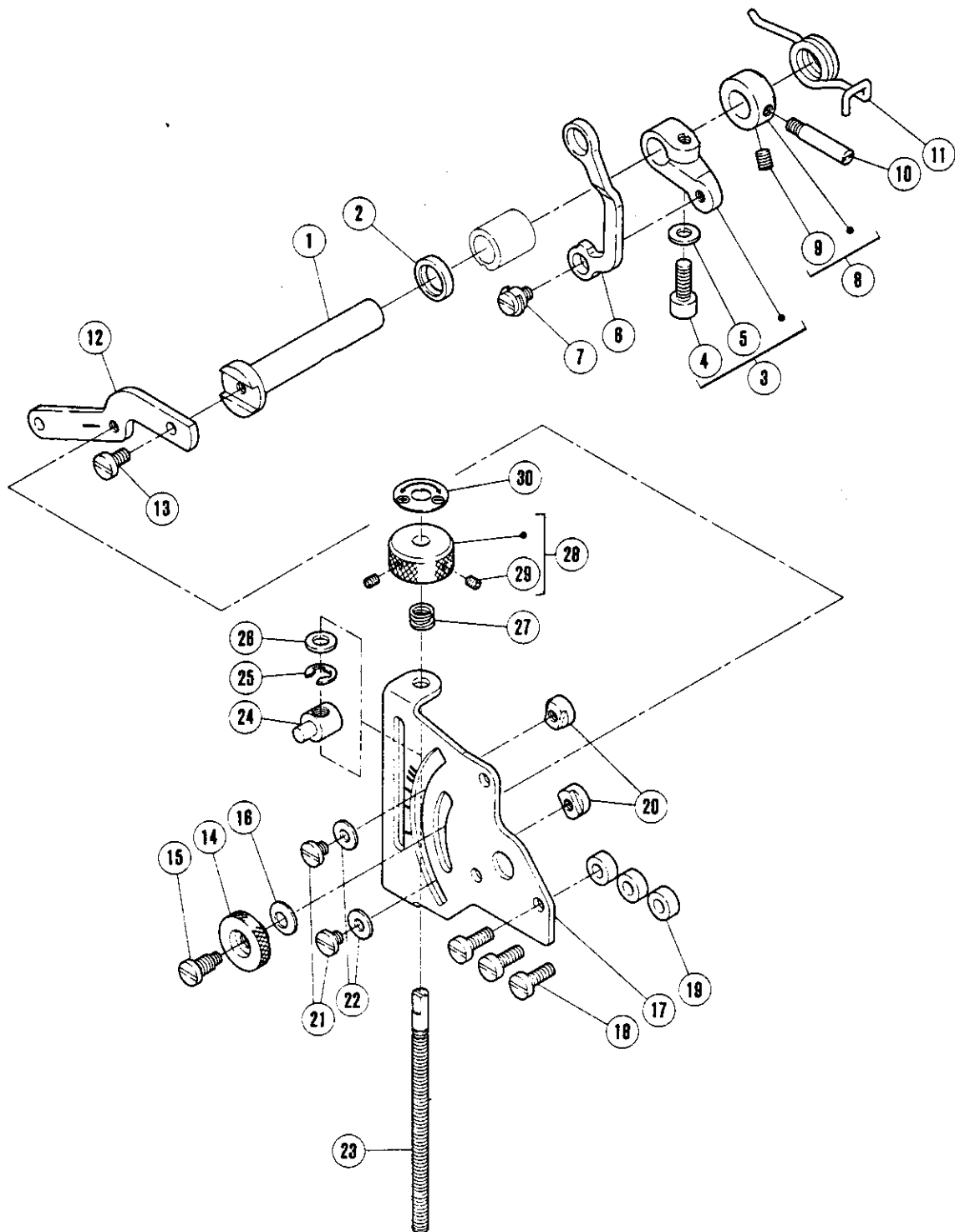


# FEED MECHANISM(1)

MEMO

REF. NO.	PART NO.	NAME	QT.
1	<b>179177-05</b>	FEED BAR PIN	1
2	<b>5234</b>	SCREW	1
3	<b>232508</b>	COLLAR	1
4	<b>1459</b>	SCREW	2
5	<b>240171-92</b>	COLLAR	1
6	<b>1459</b>	SCREW	1
7	<b>179178-05</b>	BLOCK	1
8	<b>204439A</b>	WASHER	1
9	<b>7041</b>	SCREW	1
10	<b>213033</b>	MAIN FEED BAR	1
11	<b>XXXXXX</b>	MAIN FEED DOG COMPLETE	1
12	<b>XXXXXX</b>	MAIN FEED DOG	1
13	<b>1175-2</b>	SCREW	1
14	<b>XXXXXX</b>	AUX. FEED DOG	1
15	<b>5492</b>	SCREW	1
16	<b>213036</b>	LINK	1
17	<b>210148</b>	BUSHING	1
18	<b>5489</b>	SCREW	1
19	<b>204115</b>	WASHER	1
20	<b>213043</b>	FEED GUIDE BAR (RIGHT)	1
21	<b>5632</b>	SCREW	1
22	<b>213034</b>	DIFF. FEED BAR	1
23	<b>XXXXXX</b>	DIFF.FEED DOG	1
24	<b>1175-2</b>	SCREW	1
25	<b>213042</b>	LINK	1
26	<b>204114</b>	BUSHING	1
27	<b>5231</b>	SCREW	1
28	<b>208245</b>	WASHER	1
29	<b>213044</b>	FEED GUIDE BAR (LEFT)	1
30	<b>5506</b>	SCREW	2
31	<b>213046</b>	GUIDE/FEED BAR OILSEAL	1
32	<b>5633</b>	SCREW	2
33	<b>213045</b>	FEED BAR OILSEAL	2
34	<b>213037</b>	PIN	1
35	<b>5531</b>	SCREW	1
36	<b>213038</b>	INDICATOR	1
37	<b>213035</b>	SHAFT/FEED DRIVE	1
38	<b>213039-92</b>	CRANK	1
39	<b>5457</b>	SCREW	1
40	<b>231506</b>	COLLAR	1
41	<b>5461</b>	SCREW	2
42	<b>213032-92</b>	CRANK	1
43	<b>5457</b>	SCREW	1
44	<b>210140</b>	CONNECTION/FEED DRIVE	1
45	<b>213031-92</b>	FEED ECCENTRIC	1
46	<b>5630</b>		1
47	<b>5461</b>	SCREW	1
48	<b>204084-2</b>	NEEDLE BEARING	1
49	<b>240169</b>	WASHER	1
50	<b>240170</b>	RING	1

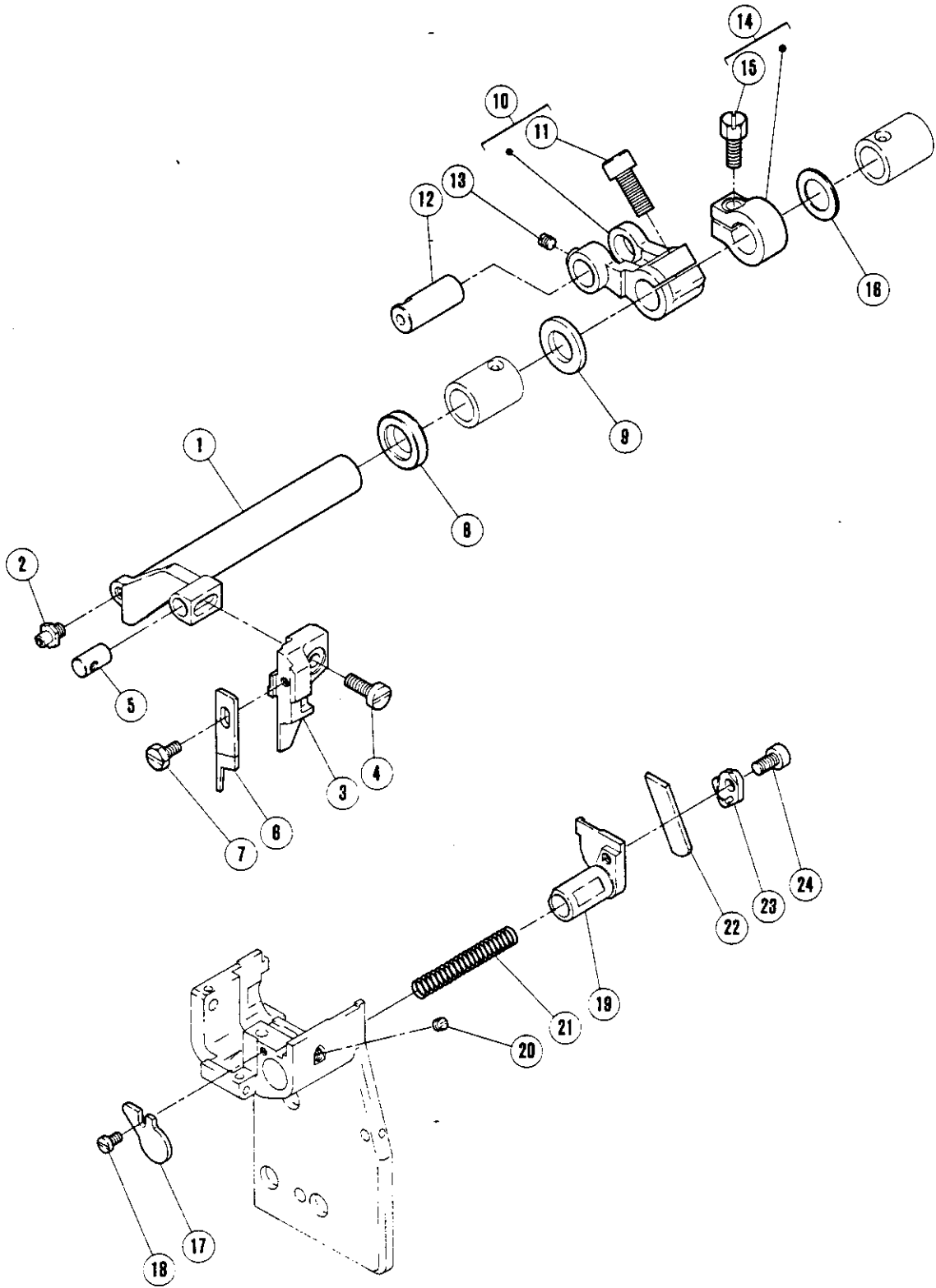
See page 46 for × × × × ×.



# FEED MECHANISM(2)

MEMO

REF. NO.	PART NO.	NAME	QT.
1	<b>213047</b>	SHAFT	1
2	<b>204052A</b>	OIL SEAL	1
3	<b>213048-92</b>	LEVER	1
4	<b>5594</b>	SCREW	1
5	<b>307003</b>	WASHER	1
6	<b>211190</b>	LINK	1
7	<b>5316</b>	SCREW	1
8	<b>204754A</b>	COLLAR	1
9	<b>5461</b>	SCREW	1
10	<b>204757</b>	SCREW	1
11	<b>213050</b>	SPRING	1
12	<b>213049</b>	LEVER	1
13	<b>5117</b>	SCREW	1
14	<b>210167</b>	THUMB NUT	1
15	<b>5486</b>	SCREW	1
16	<b>211301</b>	SPRING WASHER	1
17	<b>213051</b>	DIFF. FEED REG. GUIDE	1
18	<b>5118</b>	SCREW	3
19	<b>301762</b>	SPACER	3
20	<b>210171</b>	STOPPER	2
21	<b>2905</b>	SCREW	2
22	<b>201185</b>	WASHER	2
23	<b>213052</b>	DIFF. FEED REG. BAR	1
24	<b>213053</b>	BLOCK	1
25	<b>201629</b>	RING	1
26	<b>207924</b>	WASHER	1
27	<b>210533</b>	SPRING	1
28	<b>210532</b>	THUMB NUT	1
29	<b>5292</b>	SCREW	2
30	<b>212179</b>	MARK	1

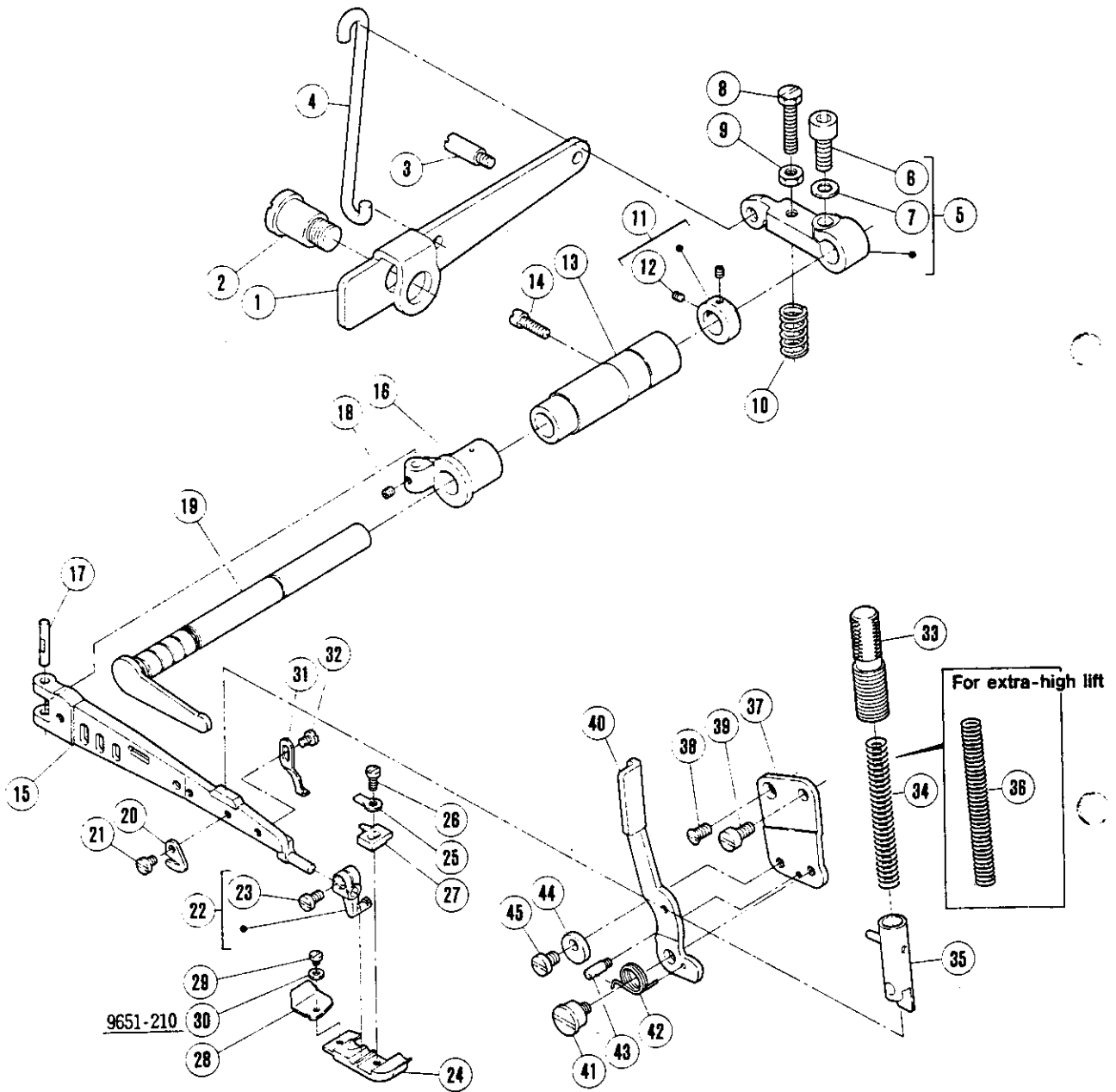


# KNIFE DRIVE MECHANISM

MEMO

REF. NO.	PART NO.	NAME	QT.
1	213222	UPPER KNIFE LEVER	1
2	304086	SCREW	1
3	210178A	UPPER KNIFE CLAMP	1
4	5118	SCREW	1
5	208579	PIN	1
6	XXXXXX	UPPER KNIFE	1
7	5088	SCREW	1
8	210069	OIL SEAL	1
9	206180	WASHER	1
10	210314	CRANK/UPPER KNIFE DRIVE	1
11	5457	SCREW	1
12	210175	PIN	1
13	5461	SCREW	1
14	206181	COLLAR	1
15	5001	SCREW	1
16	208235	WASHER	1
17	213084	CAP	1
18	5012	SCREW	1
19	213054	LOWER KNIFE HOLDER	1
20	1457	SCREW	1
21	202340	SPRING	1
22	XXXXXX	LOWER KNIFE	1
23	213264-91	CLAMP/LOWER KNIFE	1
24	5205	SCREW	1

See page 46 for × × × × ×.



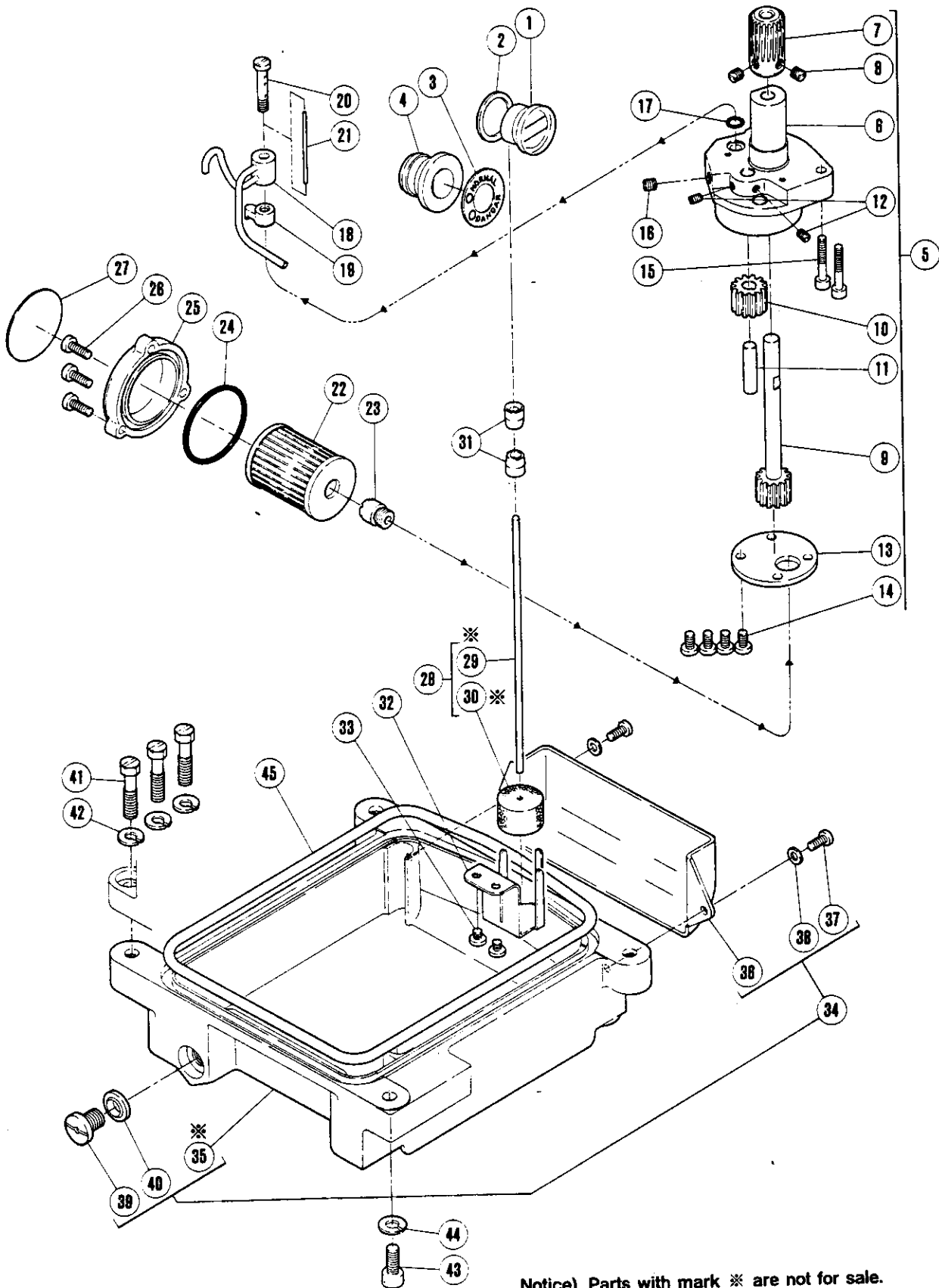
# PRESSER FOOT MECHANISM

MEMO

REF. NO.	PART NO.	NAME	QT.
1	213086	FOOT LIFT LEVER	1
2	7106	SCREW	1
3	5481	SCREW	1
4	210335	LINK/FOOT LIFT LEVER	1
5	212050	LEVER/FOOT LIFT	1
6	5457	SCREW	1
7	207924	WASHER	1
8	5503	SCREW	1
9	3044	NUT	1
10	240172	SPRING	1
11	212039	COLLAR	1
12	5292	SCREW	1
13	213085	BUSHING	1
14	2133-1	SCREW	1
15	210321	PRESSER ARM	1
16	212049	PRESSER ARM HINGE	1
17	210323	PIN	1
18	5292	SCREW	1
19	210326	SHAFT/FOOT LIFT	1
20	202451	CHAINCUTTER	1
21	2921	SCREW	1
22	208525-B	BRACKET/PRESSER FOOT	1
23	5328	SCREW	1
24	XXXXXX	PRESSER FOOT	1
25	201156	SET PLATE/PRESSER FOOT	1
26	5089	SCREW	1
27	XXXXXX	FINGER	1
28	XXXXXX	UNCURLER	1
29	5030	SCREW	1
30	210585	WASHER	1
31	210340	STOPPER	1
32	2921	SCREW	1
33	208774A	ADJUST SCREW	1
34	210337	SPRING	1
35	208537A91	PRESSER ARM GUIDE	1
36	211941	SPRING	1
37	213087	BRACKET	1
38	5107	SCREW	1
39	5205	SCREW	1
40	213088	HAND LIFT LEVER	1
41	5636	SCREW	1
42	213089	SPRING	1
43	5545	SCREW	1
44	256038	STOPPER	1
45	5113	SCREW	1

See page 46 for × × × × ×.



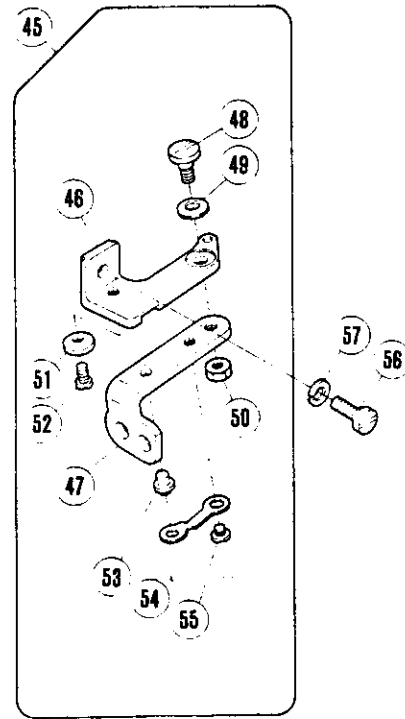
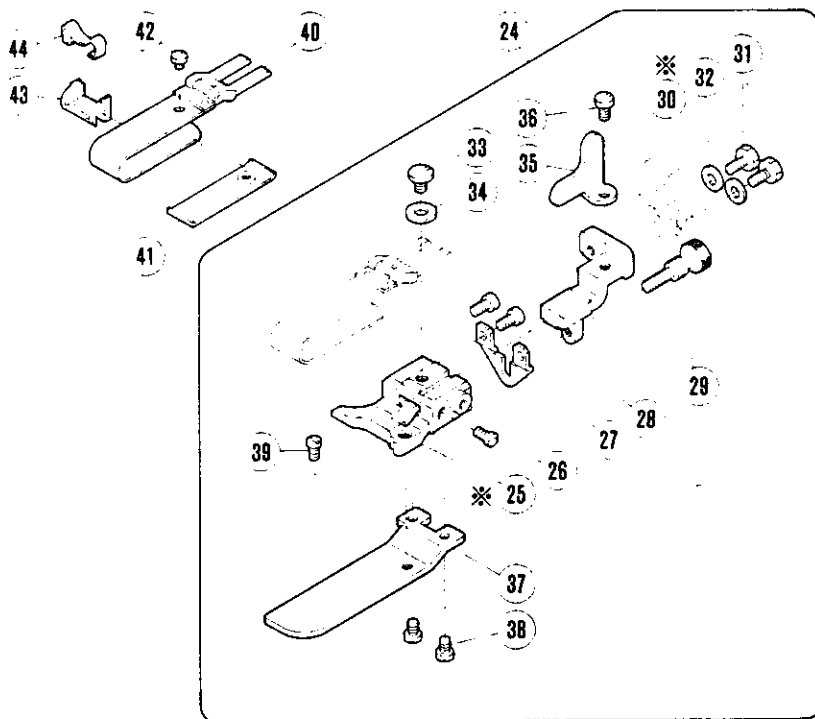
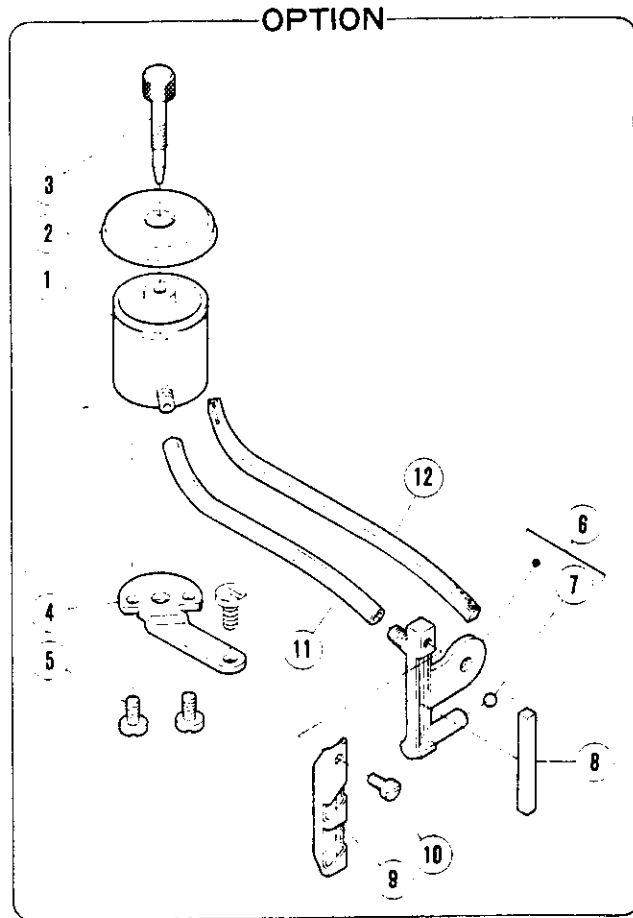
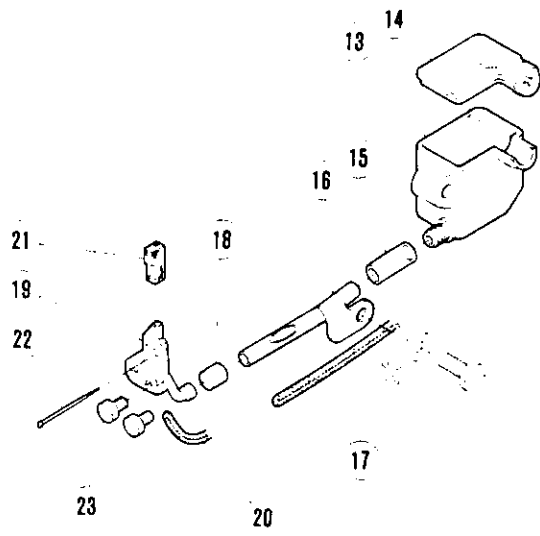


Notice) Parts with mark \* are not for sale.

# LUBRICATING MECHANISM

MEMO

REF. NO.	PART NO.	NAME	QT.
1	210190	OIL LEVEL GAUGE	1
2	211369	WASHER	1
3	210199	NAME PLATE/OIL MONITOR	1
4	210198	OIL MONITOR COMPLETE	1
5	211532	GEAR PUMP COMPLETE	1
6	210188	GEAR PUMP	1
7	211531	WORM WHEEL	1
8	5060	SCREW	2
9	208687	GEAR	1
10	201295	GEAR	1
11	204184	PUMP GEAR SHAFT	1
12	1458	SCREW	2
13	201293A	PLATE	1
14	5117	SCREW	4
15	5095	SCREW	2
16	5385	SCREW	1
17	204185	O RING	1
18	212188	OIL DISTRIBUTOR	1
19	210202	LUBRICATION BLOCK	1
20	210204	SCREW	1
21	210205	OIL FLOW ADJUST PIN	1
22	206233	OIL FILTER	1
23	210200	BRACKET/OIL FILTER	1
24	206431	O RING	1
25	210201-CD	OIL FILTER CAP	1
26	5118	SCREW	3
27	9A3002	FILTER SEAL	1
28	210193	INDICATOR COMPLETE	1
29	210192	INDICATOR	1
30	179257-05	FLOAT	1
31	210194	INDICATOR GUIDE	1
32	210510	INDICATOR SUPPORT	1
33	2905	SCREW	2
34	213056-91	OIL RESERVOIR COMPLETE	1
35	213057	OIL RESERVOIR	1
36	213058	AIR GUIDE	1
37	5441	SCREW	2
38	202286	WASHER	2
39	5138B	SCREW	1
40	202287A	WASHER	1
41	5133	BOLT	3
42	202045	WASHER	3
43	5457	SCREW	1
44	202045	WASHER	1
45	213059	GASKET	1

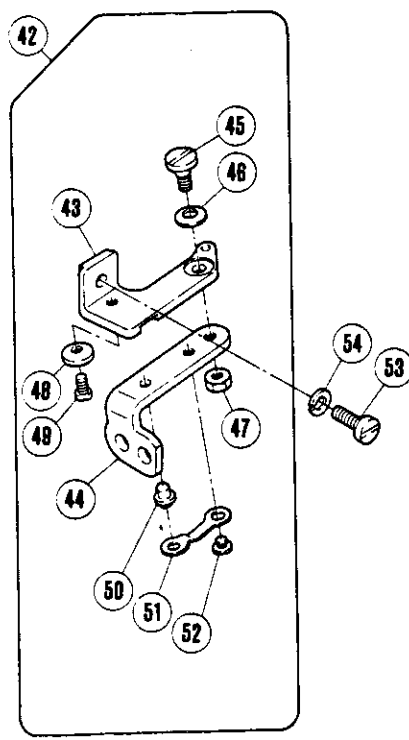
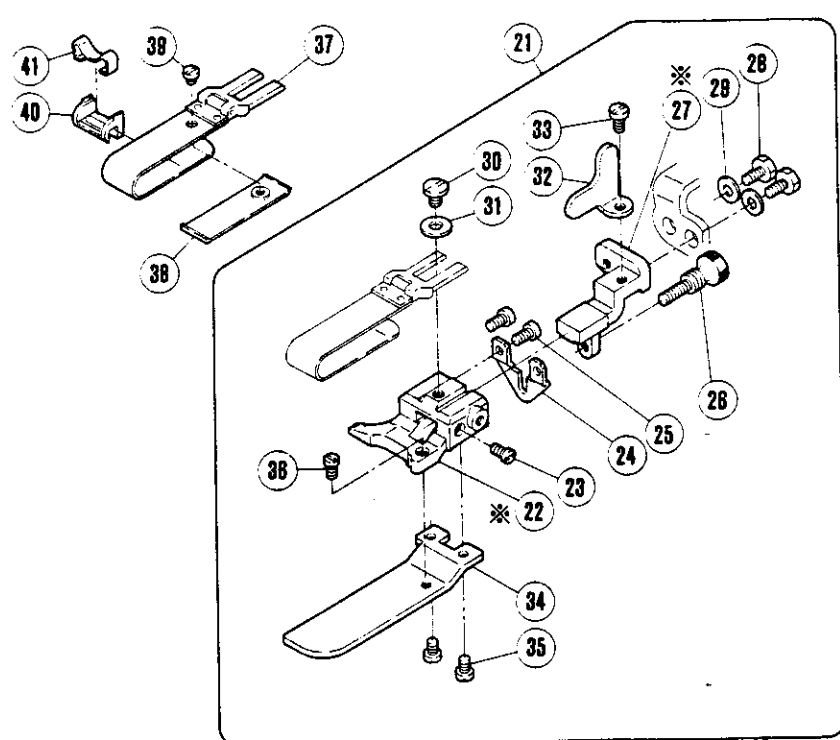
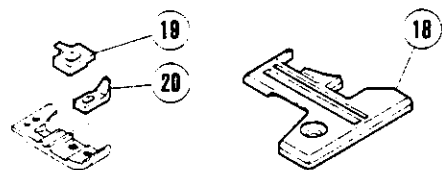
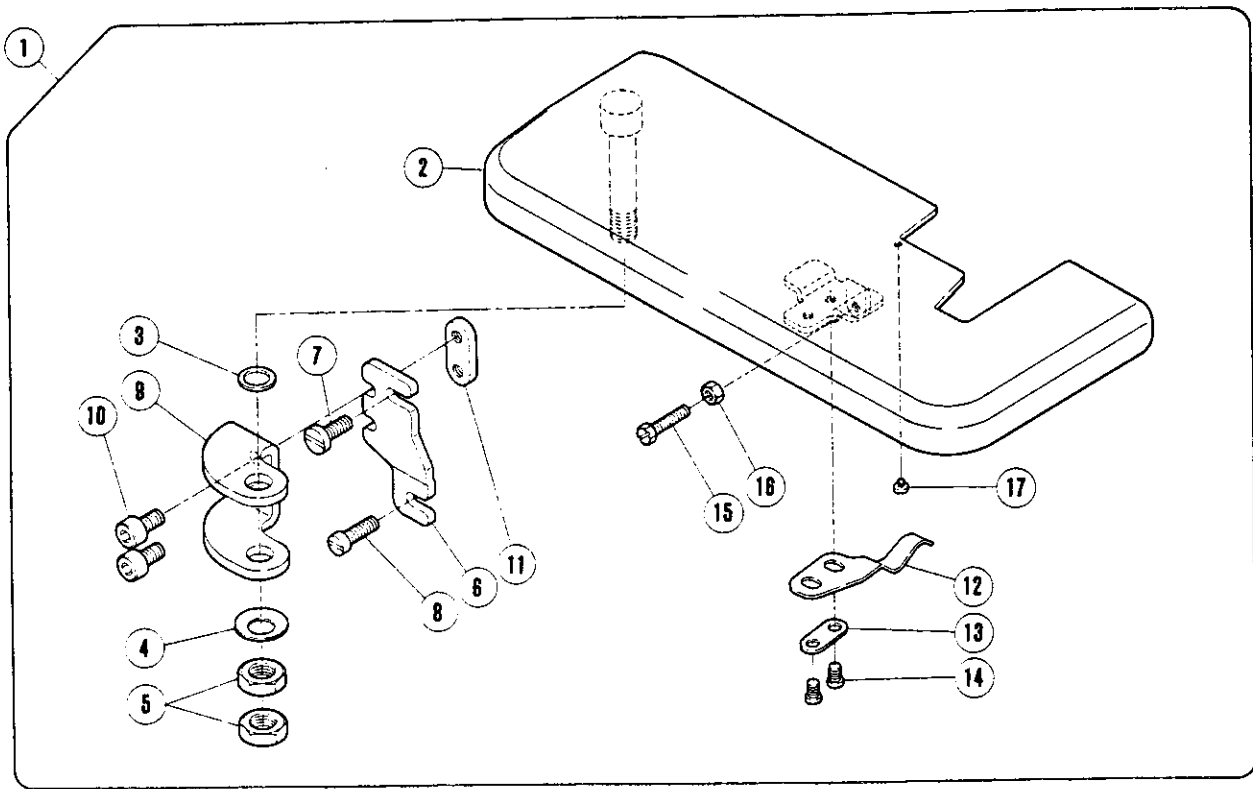


Notice) Parts with mark ※ are not for sale.

H.R. DEVICE  
BLINDHEMMING

MEMO

REF. NO.	PART NO.	NAME	QT.
1	202476-1	SILICONE OIL RESERVOIR	1
2	202476-4	CAP	1
3	202476-3	SILICONE OIL REGULATOR	1
4	211317	BRACKET	1
5	1202	SCREW	2
6	212635-ME	NEEDLE COOLER ASSEMBLY	1
7	240097	PLUG	1
8	211318	OIL FELT	1
9	211316	THREAD GUIDE	1
10	1202	SCREW	1
11	211319	OIL TUBE	1
12	204270	OIL FELT	1
13	213081	SILICONE RESERVOIR	1
14	213082	CAP	1
15	240176	OIL TUBE	1
16	213091-91	PIPE ASSEMBLY	1
17	202176	OIL WICK	1
18	240192	OIL TUBE	1
19	213078-91	NEEDLE COOLER COMPLETE	1
20	202174	OIL WICK	1
21	213090	OIL FELT	1
22	210766	PIN	1
23	1216	SCREW	2
24	210691A91	CLOTH GUIDE COMPLETE	1
25	205361A	CLOTH GUIDE	1
26	5057	SCREW	1
27	210689	ADJUSTING PLATE	1
28	5157	SCREW	2
29	2430	SCREW	1
30	210690	BRACKET/CLOTH GUIDE	1
31	5088	SCREW	2
32	167066	WASHER	2
33	2905	SCREW	1
34	137142	WASHER	1
35	210692	STOPPER	1
36	1206	SCREW	1
37	213095	AUX. PLATE	1
38	1229	SCREW	2
39	5057	SCREW	1
40	201211B	FOLDER 40MM	1
41	205835	AUXILIARY PLATE	1
42	5299	SCREW	1
43	303312A	REGULATOR	1
44	303313	REGULATOR CLAMP	1
45	210685	CLOTH GUIDE BRACKET ASSEMBLY	1
46	210680	CLOTH GUIDE BRACKET	1
47	210681	HINGE	1
48	5184	SCREW	1
49	201191	WASHER	1
50	3044	NUT	1
51	210682	STOPPER	1
52	5053	SCREW	1
53	210683	HINGE PIN	1
54	210684	HINGE SPRING	1
55	2906	SCREW	1
56	5118	SCREW	1
57	202286	WASHER	1

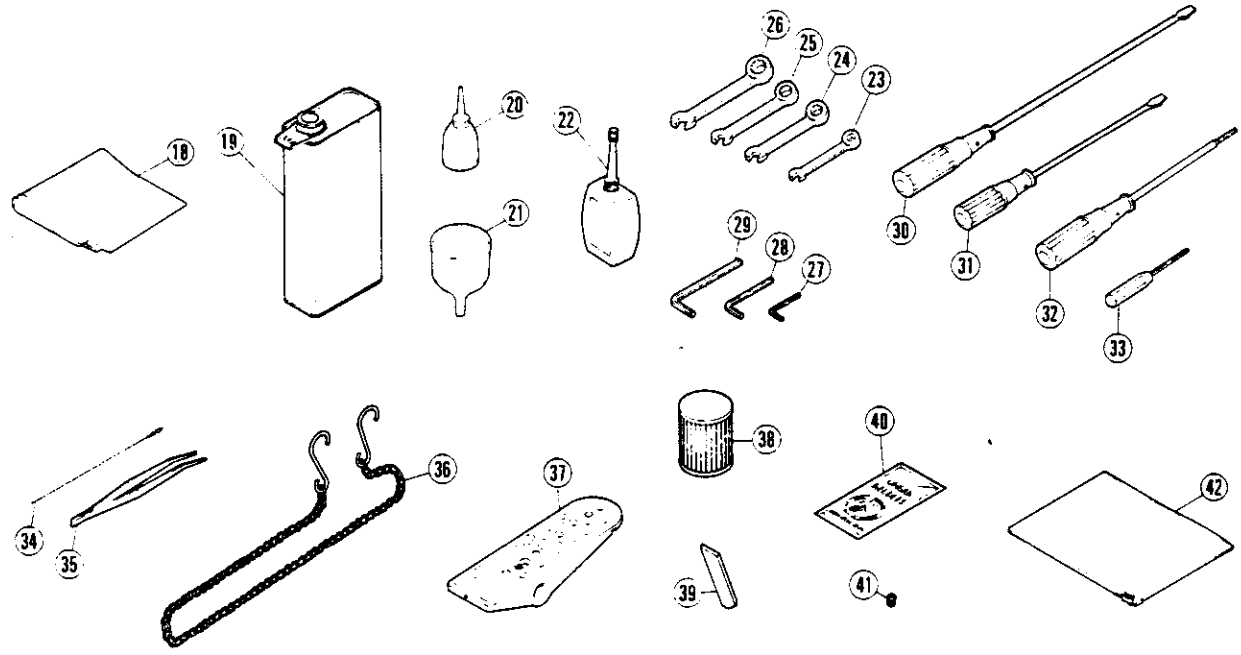
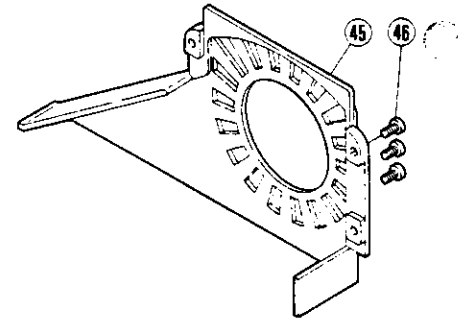
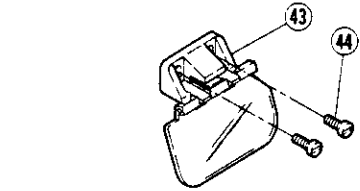
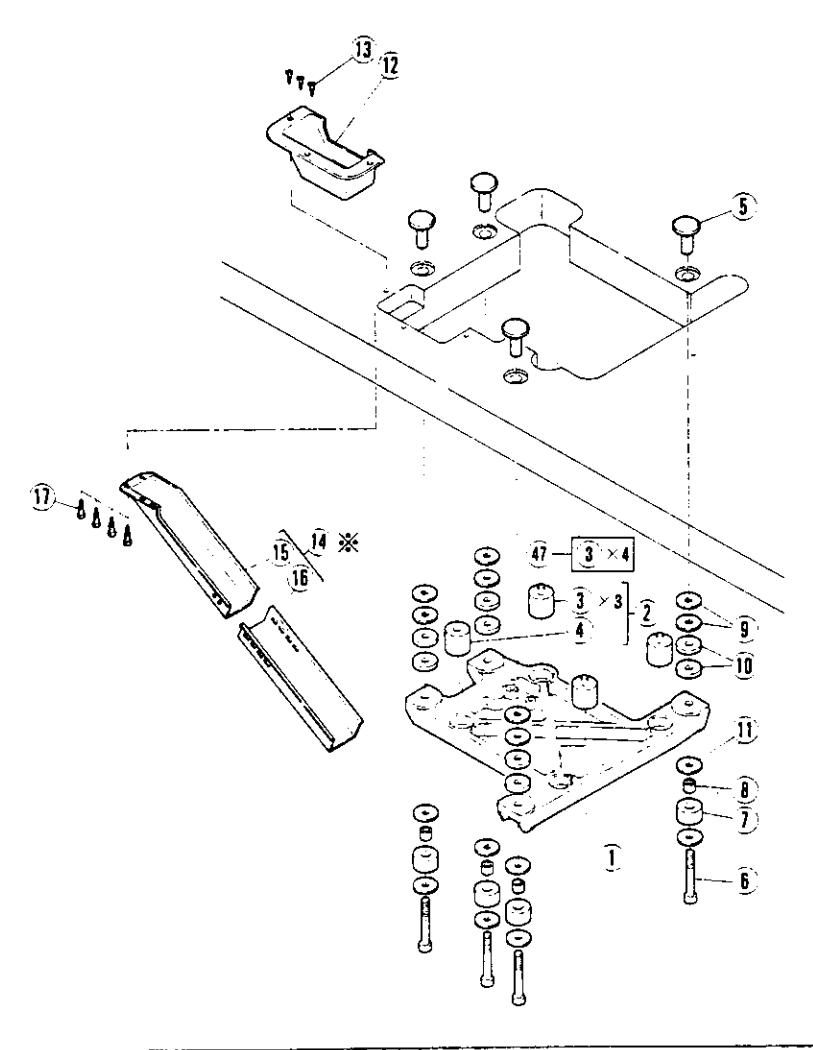


Notice) Parts with mark \* are not for sale.

# SPECIFIC PARTS FOR 965 I - I 37

MEMO

REF. NO.	PART NO.	NAME	QT.
1	<b>213265-91</b>	CLOTH PLATE COMPLETE	1
2	<b>213266-91</b>	CLOTH PLATE	1
3	<b>207045</b>	WASHER	1
4	<b>204888</b>	SPRING WASHER	1
5	<b>3154</b>	NUT	2
6	<b>213270</b>	BRACKET/SIDE COVER	1
7	<b>5118</b>	SCREW	1
8	<b>5187</b>	SCREW	1
9	<b>213271</b>	BRACKET	1
10	<b>5579</b>	SCREW	2
11	<b>213272</b>	BRACKET	1
12	<b>204218</b>	FLAT SPRING	1
13	<b>200162A</b>	WASHER	1
14	<b>5053</b>	SCREW	2
15	<b>5121A</b>	SCREW	1
16	<b>3091</b>	NUT	1
17	<b>5428</b>	SCREW	1
18	<b>213100-40</b>	NEEDLE PLATE	1
19	<b>211993</b>	FINGER	1
20	<b>211994</b>	FINGER	1
21	<b>210691A91</b>	CLOTH GUIDE COMPLETE	1
22	<b>205361A</b>	CLOTH GUIDE	1
23	<b>5057</b>	SCREW	1
24	<b>210689</b>	ADJUSTING PLATE	1
25	<b>5157</b>	SCREW	2
26	<b>2430</b>	SCREW	1
27	<b>210690</b>	BRACKET/CLOTH GUIDE	1
28	<b>5088</b>	SCREW	2
29	<b>167066</b>	WASHER	2
30	<b>2905</b>	SCREW	1
31	<b>137142</b>	WASHER	1
32	<b>210692</b>	STOPPER	1
33	<b>1206</b>	SCREW	1
34	<b>213095</b>	AUX. PLATE	1
35	<b>1229</b>	SCREW	2
36	<b>5057</b>	SCREW	1
37	<b>201211B</b>	FOLDER 40MM	1
38	<b>205835</b>	AUXILIARY PLATE	1
39	<b>5299</b>	SCREW	1
40	<b>303312A</b>	REGULATOR	1
41	<b>303313</b>	REGULATOR CLAMP	1
42	<b>210685</b>	CLOTH GUIDE BRACKET ASSEMBLY	1
43	<b>210680</b>	CLOTH GUIDE BRACKET	1
44	<b>210681</b>	HINGE	1
45	<b>5184</b>	SCREW	1
46	<b>201191</b>	WASHER	1
47	<b>3044</b>	NUT	1
48	<b>210682</b>	STOPPER	1
49	<b>5053</b>	SCREW	1
50	<b>210683</b>	HINGE PIN	1
51	<b>210684</b>	HINGE SPRING	1
52	<b>2906</b>	SCREW	1
53	<b>5118</b>	SCREW	1
54	<b>202286</b>	WASHER	1



Notice) Parts with mark ※ are not for sale.

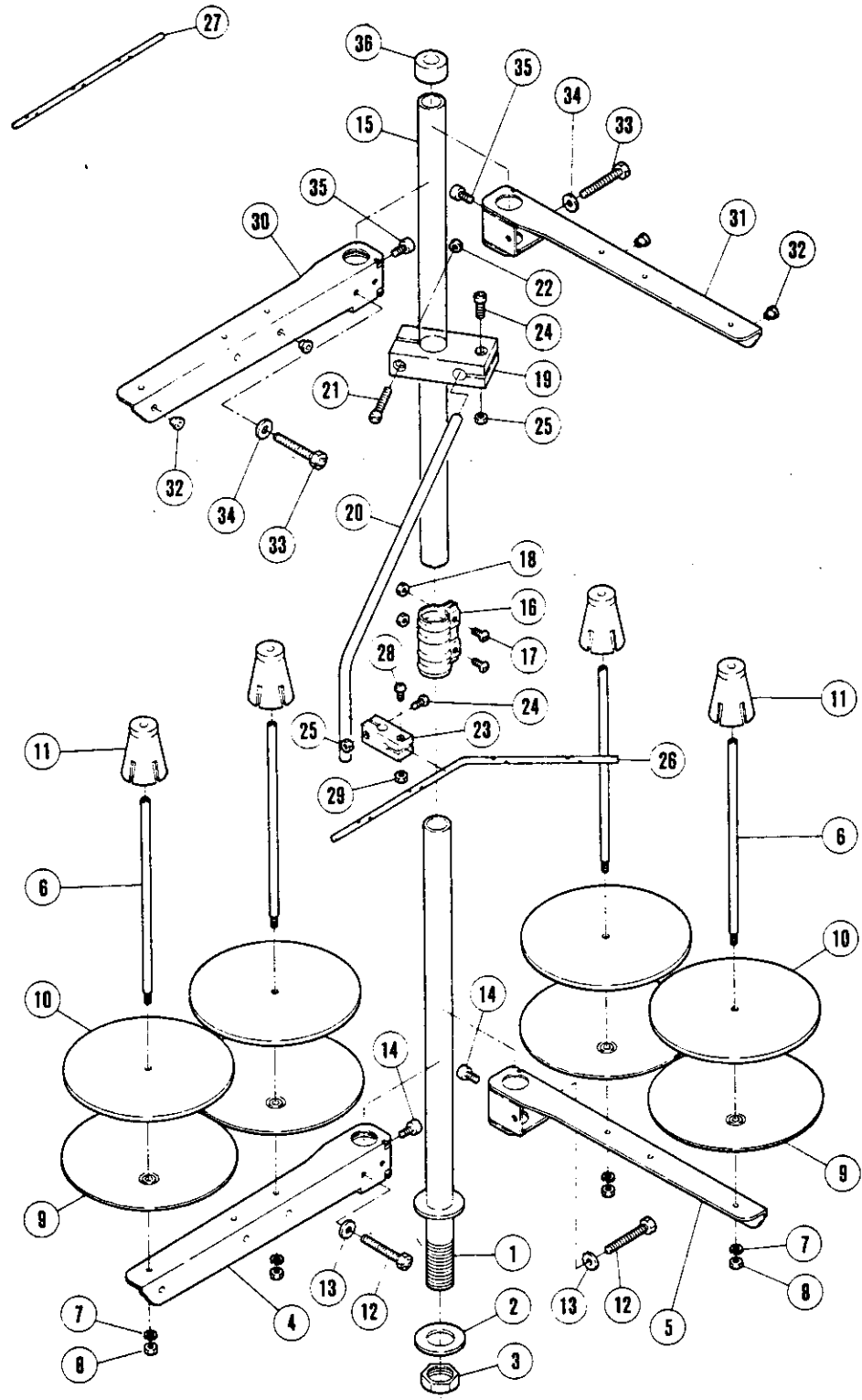
PARTS FOR SEMI-SUBMERGED INSTALLATION  
ACCESSORIES

MEMO

REF. NO.	PART NO.	NAME
1	<b>213083</b>	MACHINE REST BOARD
2	<b>9029</b>	CUSHION RUBBER SET
3	<b>205473</b>	CUSHION RUBBER
4	<b>210523</b>	CUSHION RUBBER
5	<b>206336</b>	NUT
6	<b>4513</b>	HANGER BOLT
7	<b>205764</b>	CUSHION RUBBER
8	<b>205765</b>	LINER
9	<b>206337</b>	WASHER
10	<b>205467</b>	SPACER
11	<b>206337</b>	WASHER
12	<b>205470AJA</b>	WASTE CHUTE TOP
13	<b>4904</b>	SCREW
14	<b>9106</b>	WASTE CHUTE SET
15	<b>205468-JA</b>	UPPER CHUTE
16	<b>205469-JA</b>	LOWER CHUTE
17	<b>4905</b>	SCREW
18	<b>908</b>	COVER
19	<b>453</b>	OIL CONTAINER/1000CC
20	<b>485</b>	OILER
21	<b>484</b>	OIL FUNNEL
22	<b>178</b>	CONTAINER - SILICONE
23	<b>391</b>	WRENCH/5MM
24	<b>283</b>	WRENCH 6MM
25	<b>284</b>	WRENCH 7MM
26	<b>285</b>	WRENCH/8MM
27	<b>322</b>	ALLEN KEY/2.38MM
28	<b>200</b>	ALLEN KEY/4.76MM
29	<b>272</b>	ALLEN KEY/6MM
30	<b>127</b>	SCREWDRIVER (LARGE)
31	<b>128</b>	SCREWDRIVER (MEDIUM)
32	<b>414</b>	ALLEN WRENCH/3.17MM
33	<b>179</b>	DRIVER
34	<b>153</b>	THREADING WIRE
35	<b>131</b>	TWEEZERS
36	<b>392</b>	CHAIN
37	<b>480</b>	PEDAL
38	<b>206233</b>	OIL FILTER
39	<b>XXXXXX</b>	LOWER KNIFE
40	<b>XXXXXX</b>	NEEDLE
41	<b>5292</b>	SCREW
42	<b>482</b>	ACCESSORY BAG
43	<b>208747</b>	EYE GUARD COMPLETE
44	<b>1175-3</b>	SCREW
45	<b>210028-CD</b>	'BELT COVER'
46	<b>5117</b>	SCREW
47	<b>9020</b>	CUSHION RUBBER SET

See page 46 for x x x x x.





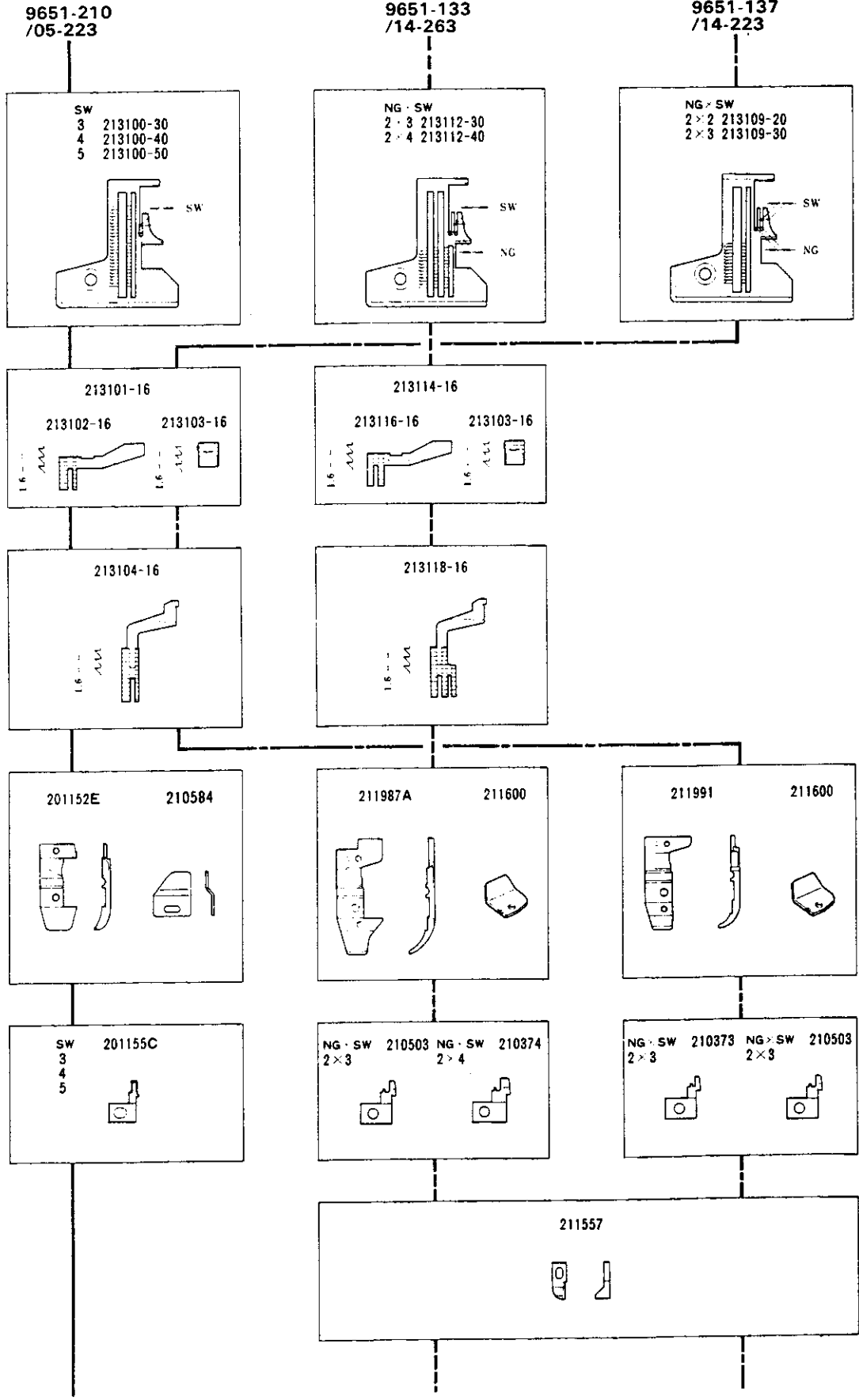
# THREAD STAND

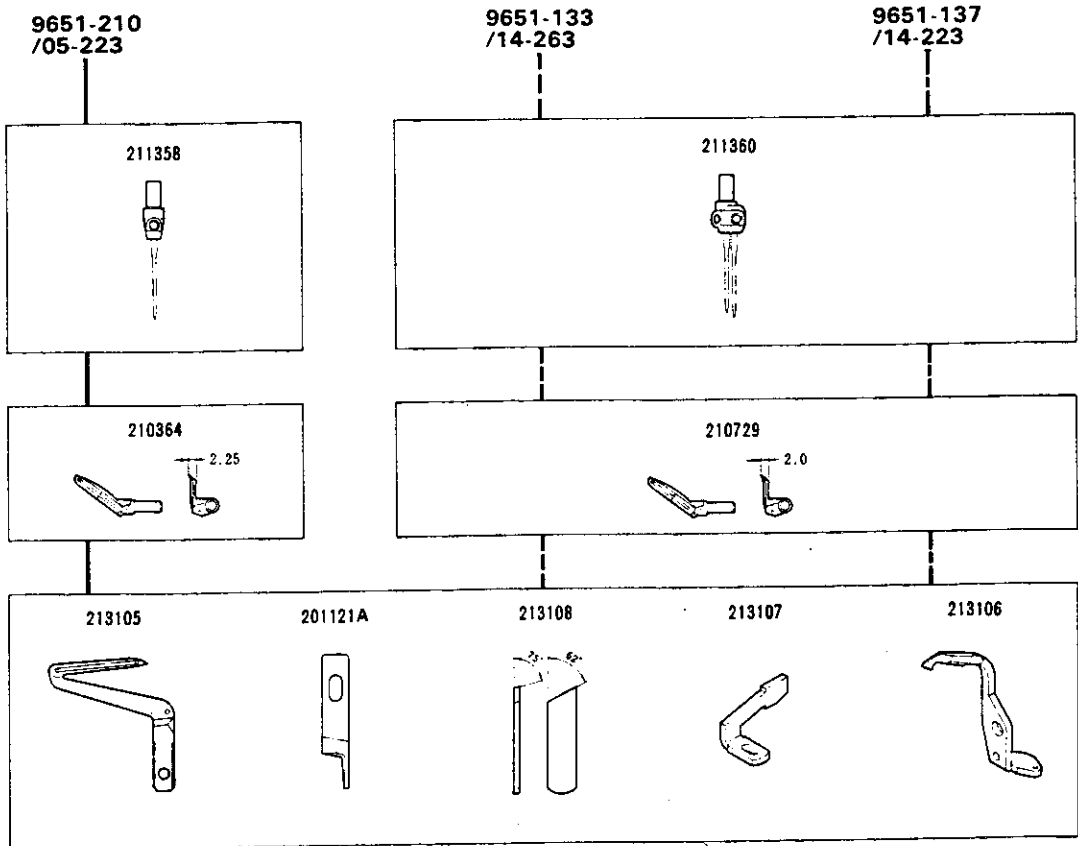
MEMO

REF. NO.	PART NO.	NAME	3-spools	4-spools
	<b>486C9C</b>	THREAD STAND ASSEMBLY	1	
	<b>486B9C</b>	THREAD STAND ASSEMBLY		1
1	<b>503-CA</b>	THEAD STAND ROD	1	1
2	<b>509</b>	WASHER	1	1
3	<b>5476</b>	NUT	1	1
4	<b>505-CA</b>	BRACKET	1	
5	<b>505ACA</b>	BRACKET		2
6	<b>380A</b>	SPOOL PIN	3	4
7	<b>201252</b>	WASHER	3	4
8	<b>4803</b>	NUT	3	4
9	<b>381-CA</b>	SPOOL TRAY	3	4
10	<b>507</b>	CUSHION	3	4
11	<b>382-CA</b>	SPPOOL RETAINING FIN	3	4
12	<b>7102</b>	SCREW	1	2
13	<b>512</b>	WASHER	1	2
14	<b>4022</b>	SCREW	1	2
15	<b>502-CA</b>	THREAD STAND ROD	1	1
16	<b>504-CA</b>	JOINT	1	1
17	<b>4021</b>	SCREW	2	2
18	<b>4805</b>	NUT	2	2
19	<b>383-CA</b>	BRACKET	1	1
20	<b>384</b>	THREAD GUIDE BAR ROD	1	1
21	<b>4014</b>	SCREW	1	1
22	<b>4803</b>	NUT	1	1
23	<b>233-CA</b>	HOLDER	1	1
24	<b>4012</b>	SCREW	2	2
25	<b>4803</b>	NUT	2	2
26	<b>293C</b>	THREAD GUIDE BAR	1	
27	<b>293B</b>	THREAD GUIDE BAR		1
28	<b>4012</b>	SCREW	1	1
29	<b>4803</b>	NUT	1	1
30	<b>505-CA</b>	BRACKET	1	
31	<b>505ACA</b>	BRACKET		2
32	<b>506</b>	THREAD EYELET	3	4
33	<b>7102</b>	SCREW	1	2
34	<b>512</b>	WASHER	1	2
35	<b>4022</b>	SCREW	1	2
36	<b>386</b>	ROD CAP	1	1

# 9651-210, 133, 137

# GAUGE PARTS CONSTRUCTION CHART

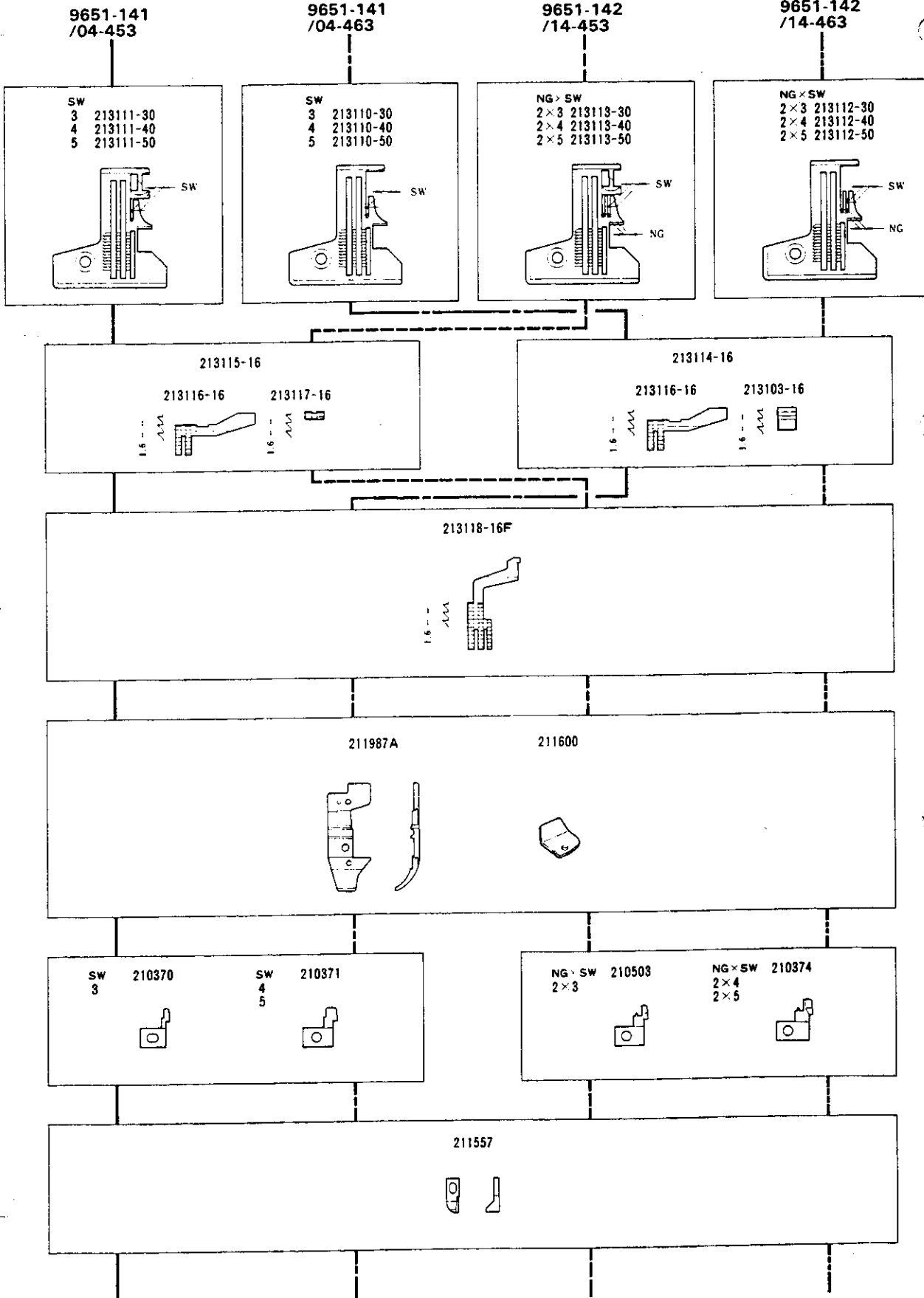


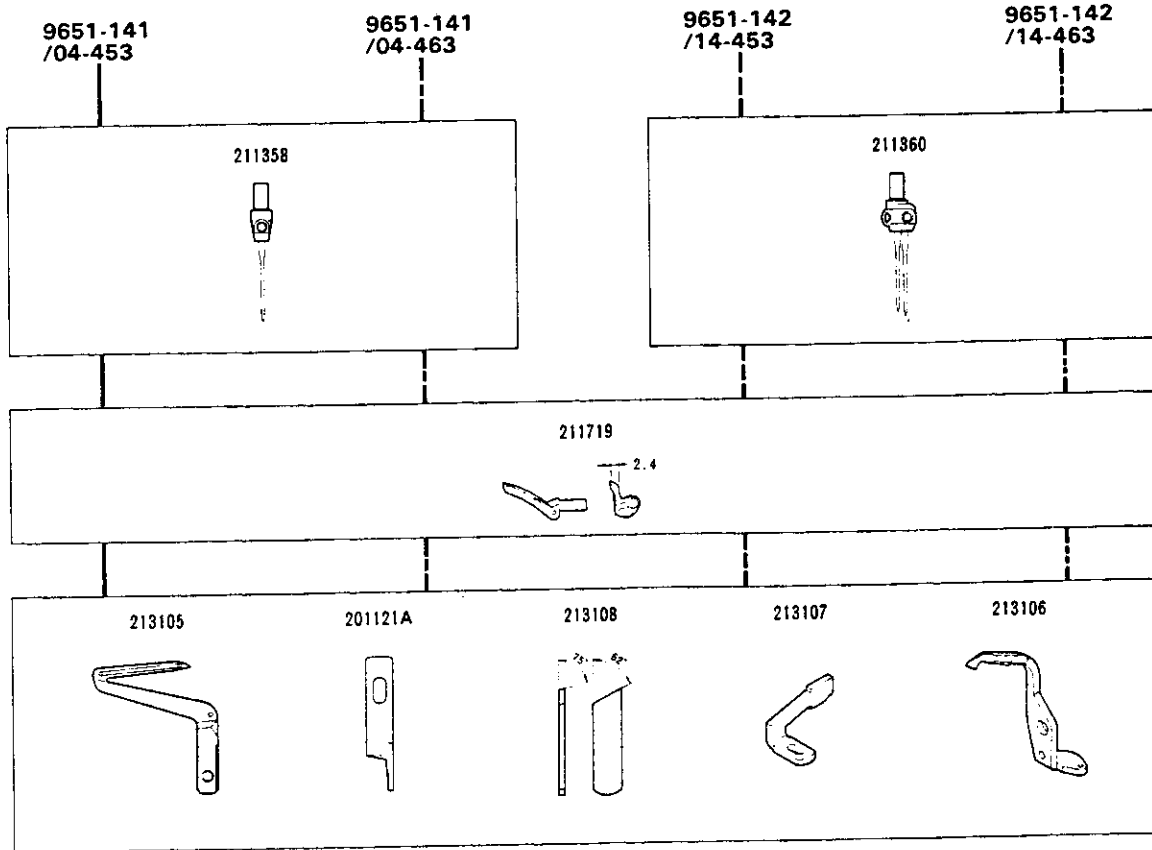


										MEMO	
			mm	mm	mm	mm	mm	mm	s.p.m		
<b>9651-210 /05-223</b>	Standard lift	1	3	1.1~3.2	3, ④, 5	1.65~4.0	5.5	8,000			For blindstitch hemming and hemming the openings of sleeves on light to medium weight articles such as T-shirts and underwear.
<b>9651-133 /14-263</b>	Standard lift	2	4	1.1~3.2	2	③, 4	1.65~6.4	5.5	7,500		Designed for attaching rib elastic to the hems and cuffs of lightweight poloshirts and sports shirts, and overedging ladies underwear.
<b>9651-137 /14-223</b>	Standard lift	2	4	1.1~3.2	2	2, ③	1.65~4.0	5.5	7,500		A multi-purpose machine which can be used for blindstitch hemming or 1- or 2-needle plain seaming.

# 9651-141, 142

# GAUGE PARTS CONSTRUCTION CHART





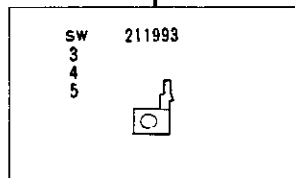
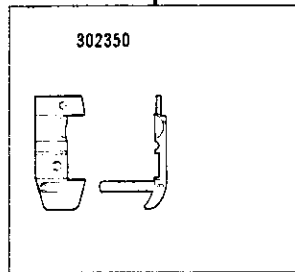
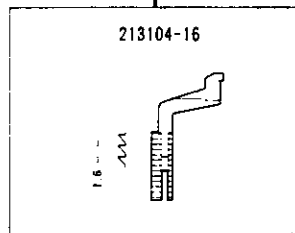
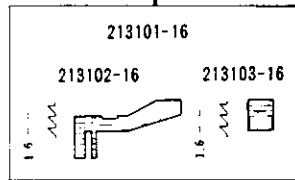
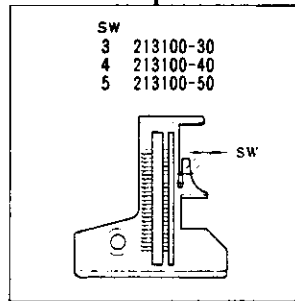
**9651-141**  
**/04-453, 463**  
 SW  
 3 213108A  
 4 213108  
 5 213108

									MEMO	
9651-141 /04-453	Extra-high lift	1	3	1.1-3.2	3, 4, 5	1.65-6.4	6.5	6,300		Ideal for attaching tubular elastics which are difficult to feed under tension. (Needle plate with chaining-land)
9651-141 /04-463	Extra-high lift	1	3	1.1-3.2	3, 4, 5	1.65-6.4	6.5	6,300		Ideal for rib elastic attaching operations on the hems and cuffs of medium to heavy weight articles such as poloshirts, trainers, etc.
9651-142 /14-453	Extra-high lift	2	4	1.1-3.2	2	3, 4, 5	1.65-6.4	6,000		Ideal for attaching tubular elastics which are difficult to feed under tension. (Needle plate with chaining-land)
9651-142 /14-463	Extra-high lift	2	4	1.1-3.2	2	3, 4, 5	1.65-6.4	6,000		Ideal for rib elastic attaching operations on the hems and cuffs of medium to heavy weight articles such as poloshirts, trainers, etc. (2-needle machine).

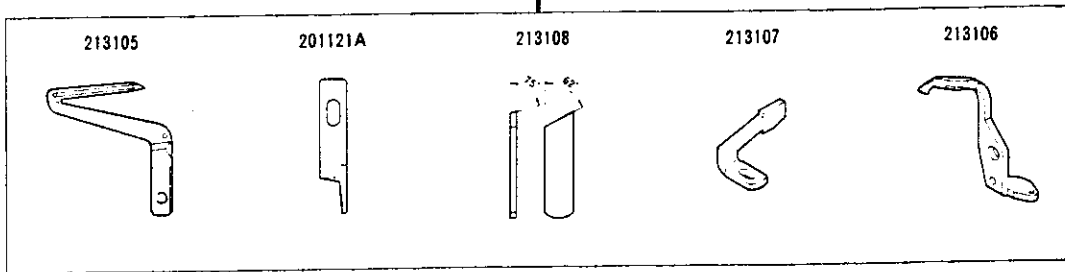
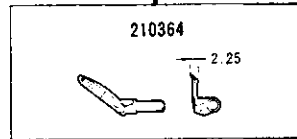
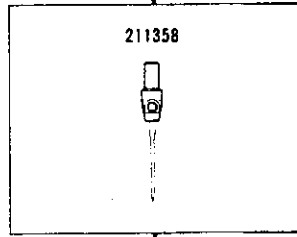
# 9651-213




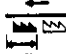

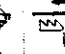
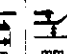

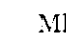
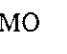

## GAUGE PARTS CONSTRUCTION CHART

9651-213  
/05-223



9651-213  
/05 223



			 mm	 mm	 mm	 mm	 mm	 mm	 r.p.m.	MEMO	
9651-213 /05-223	Standard lift	1 3	1.1-3.2	3, 4, 5	1.65-4.0	5.5	8,000				Used in the pneumatically controlled hemming unit (PH200).



965 I GAUGE PARTS LIST



MACHINE TYPE /SPEC.	GAUGE		NEEDLE PLATE	MAIN FEED DOG ASS.	DIFF. FEED DOG	PRESSER FOOT		NEEDLE HOLDER	UPPER LOOPER	LOWER LOOPER	UPPER KNIFE	NEEDLE GUARD		UNCLIP	(DCX2?) NIPPER		
	NR.	SW.				CLIPPER	CINGER					(FRONT)	(REAR)				
9651-141 /04-453		3 4 5	213111-30 -40 -50	213115-16 " "	213118-16 " "	211987A " "	210370 210371 "	211600 " "	211358 " "	211719 " #38 "	213105 " "	201121A " "	213108 " "	213107 " "	213106 " "	211557 " "	629 #11
9651-141 /04-463		3 4 5	213110-30 -40 -50	213114-16 " "	213118-16 " "	211987A " "	210370 210371 "	211600 " "	211358 " "	211719 " #38 "	213105 " "	201121A " "	213108A 213108 "	213107 " "	213106 " "	211557 " "	629 #11
9651-210 /05-223		3 4 5	213100-30 -40 -50	213101-16 " "	213104-16 " "	201152E " "	201155C " "	210584 " "	211358 " "	210364 " #22 "	213105 " "	201121A " "	213108A 213108 "	213107 " "	213106 " "	----- "	629 #11
9651-213 /05-223		3 4 5	213100-30 -40 -50	213101-16 " "	213104-16 " "	302350 " "	211993 " "	----- "	211358 " "	210364 " #22 "	213105 " "	201121A " "	213108 " "	213107 " "	213106 " "	----- "	629 #11
9651-133 /14-263	2	3 4	213112-30 -40	213114-16 "	213118-16 "	211987A "	210503 210374 "	211600 " "	211360 " "	210729 " #30 "	213105 " "	201121A " "	213108 " "	213107 " "	213106 " "	211557 " "	629 #11
9651-137 /14-223	2	2 3	213109-20 -30	213101-16 "	213104-16 "	211991 "	210373 210503 "	211600 " "	211360 " "	210729 " #30 "	213105 " "	201121A " "	213108 " "	213107 " "	213106 " "	211557 " "	629 #11
9651-142 /14-453	2	3 4 5	213113-30 -40 -50	213115-16 " "	213118-16 " "	211987A " "	210503 210374 "	211600 " "	211360 " "	211719 " #38 "	213105 " "	201121A " "	213108 " "	213107 " "	213106 " "	211557 " "	629 #11
9651-142 /14-463	2	3 4 5	213112-30 -40 -50	213114-16 " "	213118-16 " "	211987A " "	210503 210374 "	211600 " "	211360 " "	211719 " #38 "	213105 " "	201121A " "	213108 " "	213107 " "	213106 " "	211557 " "	629 #11

# INDEX

PART NO.	PPAFF-NO	PAGE	NO. REF.	PART NO.	PPAFF-NO	PAGE	NO. REF.	PART NO.	PPAFF-NO	PAGE	NO. REF.
127	91-029 007-91	37	30	2905	09-009 053-44	35	30	5282	09-009 612-36	19	37
128	91-029 480-91	37	31	2906	09-009 612-23	33	55	5284	09-009 067-39	17	11
131	09-009 815-08	37	35	2906	09-009 612-23	35	52	5284	09-009 067-39	17	23
153	09-009 147-55	37	34	2921	09-009 053-46	7	47	5292	09-009 064-89	7	8
178	09-009 600-03	37	22	2921	09-009 053-46	21	22	5292	09-009 064-89	7	31
179	09-009 071-00	37	33	2921	09-009 053-46	29	21	5292	09-009 064-89	7	35
200	09-009 815-07	37	28	2921	09-009 053-46	29	32	5292	09-009 064-89	7	37
233-CA	09-009 815-17	39	23	3044	09-009 053-49	29	9	5292	09-009 064-89	7	42
272	09-009 612-01	37	29	3044	09-009 053-49	33	50	5292	09-009 064-89	7	51
283	09-009 048-24	37	24	3044	09-009 053-49	35	47	5292	09-009 064-89	13	22
284	09-009 048-25	37	25	3091	09-009 053-50	35	16	5292	09-009 064-89	13	29
285	09-009 048-26	37	26	3154	09-009 814-97	35	5	5292	09-009 064-89	15	28
293B	09-400 769-00	39	27	4009-1	09-009 053-53	7	54	5292	09-009 064-89	15	30
293C	09-400 770-00	39	26	4009-1	09-009 053-53	11	8	5292	09-009 064-89	15	33
322	09-009 815-06	37	27	4012	09-009 612-25	39	24	5292	09-009 064-89	19	42
380A	09-009 807-04	39	6	4012	09-009 612-25	39	28	5292	09-009 064-89	25	29
381-CA	09-009 612-14	39	9	4014	09-009 612-27	39	21	5292	09-009 064-89	29	12
382-CA	09-009 815-13	39	11	4021	09-400 786-00	39	17	5292	09-009 064-89	29	18
383-CA	09-009 815-16	39	19	4022	09-400 787-00	39	14	5292	09-009 064-89	37	41
384	09-009 612-17	39	20	4022	09-400 787-00	39	35	5299	09-009 067-14	33	42
386	09-009 612-19	39	36	4513	09-009 612-28	37	6	5299	09-009 067-14	35	39
391	09-009 800-01	37	23	4803	09-009 612-30	39	8	5316	09-009 601-16	25	7
392	09-009 734-77	37	36	4803	09-009 612-30	39	22	5325	09-400 069-00	13	8
414	09-009 732-53	37	32	4803	09-009 612-30	39	25	5328	09-009 071-11	29	23
453	09-009 734-78	37	19	4803	09-009 612-30	39	29	5332A	09-009 813-11	5	12
480	09-009 815-09	37	37	4805	12-024 171-15	39	18	5345	09-009 070-23	7	55
482	09-400 028-00	37	42	4904	09-009 612-31	37	13	5357	09-009 067-95	3	6
484	09-400 029-00	37	21	4905	09-009 612-32	37	17	5376	09-009 612-37	9	5
485	09-400 030-00	37	20	5001	09-009 814-58	27	15	5376	09-009 612-37	9	7
48689C	09-400 773-00	39		5002	09-009 053-54	7	44	5376	09-009 612-37	9	9
486C9C	09-400 774-00	39		5012	09-009 065-32	27	18	5376	09-009 612-37	9	13
502-CA	09-009 815-14	39	15	5022	09-009 068-68	13	15	5385	09-009 606-14	31	16
503-CA	09-009 815-12	39	1	5022	09-009 068-68	15	26	5427	09-009 611-79	7	36
504-CA	09-009 815-15	39	16	5029	09-009 053-59	11	2	5428	09-009 608-76	35	17
505-CA	09-400 781-00	39	4	5030	09-009 053-60	29	29	5434	09-009 612-39	5	14
505-CA	09-400 781-00	39	30	5050	09-009 732-58	11	23	5437	09-009 606-28	19	45
505ACA	09-400 780-00	39	5	5053	09-009 053-62	33	52	5441	09-009 601-52	31	37
505ACA	09-400 780-00	39	31	5053	09-009 053-62	35	14	5446	09-009 807-18	15	21
506	09-400 782-00	39	32	5053	09-009 053-62	35	49	5457	09-009 612-42	9	11
507	09-400 783-00	39	10	5057	09-009 053-63	33	26	5457	09-009 612-42	9	15
509	09-400 784-00	39	2	5057	09-009 053-63	33	39	5457	09-009 612-42	13	31
512	09-400 785-00	39	13	5057	09-009 053-63	35	23	5457	09-009 612-42	13	33
512	09-400 785-00	39	34	5057	09-009 053-63	35	36	5457	09-009 612-42	21	16
908	09-400 032-00	37	18	5059	09-009 612-34	13	19	5457	09-009 612-42	23	39
1175-2	09-009 048-13	23	13	5060	09-009 053-64	13	36	5457	09-009 612-42	23	43
1175-2	09-009 048-13	23	24	5060	09-009 053-64	31	8	5457	09-009 612-42	27	11
1175-3	09-009 048-14	37	44	5078	09-009 053-69	5	1	5457	09-009 612-42	29	6
1202	09-009 048-17	21	18	5082A	09-009 053-74	15	8	5457	09-009 612-42	31	43
1202	09-009 048-17	33	5	5082A	09-009 053-74	19	10	5461	09-009 612-44	9	4
1202	09-009 048-17	33	10	5082A	09-009 053-74	21	10	5461	09-009 612-44	11	12
1206	09-009 048-19	33	36	5088	09-009 053-80	27	7	5461	09-009 612-44	19	51
1206	09-009 048-19	35	33	5088	09-009 053-80	33	31	5461	09-009 612-44	23	41
1216	09-009 048-20	7	11	5088	09-009 053-80	35	28	5461	09-009 612-44	23	47
1216	09-009 048-20	33	23	5089	09-009 053-81	29	26	5461	09-009 612-44	25	9
1229	09-009 048-22	19	40	5095	09-009 053-83	7	2	5461	09-009 612-44	27	13
1229	09-009 048-22	33	38	5095	09-009 053-83	31	15	5476	09-009 612-45	39	3
1229	09-009 048-22	35	35	5107	09-009 605-41	29	38	5481	09-009 612-48	29	3
1231	09-009 048-09	19	28	5113	09-009 054-70	29	45	5484-HC	09-009 612-51	15	35
1231	09-009 048-09	21	29	5117	09-009 053-88	5	17	5485	09-009 612-52	13	2
1234	09-009 048-23	7	19	5117	09-009 053-88	7	28	5486	09-009 612-53	25	15
1333	09-009 048-27	15	39	5117	09-009 053-88	11	17	5489	09-009 612-56	23	18
1457	09-009 048-64	13	10	5117	09-009 053-88	15	37	5492	09-009 612-57	23	15
1457	09-009 048-64	27	20	5117	09-009 053-88	25	13	5503	09-009 732-59	29	8
1458	09-009 048-66	31	12	5117	09-009 053-88	31	14	5506	09-009 805-22	23	30
1459	09-009 053-73	23	4	5118	09-009 053-89	37	46	5519	09-009 732-60	19	15
1459	09-009 053-73	23	6	5118	09-009 053-89	25	18	5519	09-009 732-60	21	12
2133-1	09-009 053-36	29	14	5118	09-009 053-89	27	4	5522	09-009 732-61	11	24
2193	09-009 053-37	19	19	5118	09-009 053-89	31	26	5523	09-009 732-62	11	22
2193	09-009 053-37	21	34	5118	09-009 053-89	33	56	5531	09-009 814-22	23	35
2430	09-009 053-41	33	29	5118	09-009 053-89	35	7	5535	09-009 807-21	15	17
2430	09-009 053-41	35	26	5118	09-009 053-89	35	53	5535	09-009 807-21	15	19
2902	09-009 053-42	19	34	5121A	09-009 815-03	35	15	5545	09-009 814-79	29	43
2902	09-009 053-42	21	20	5133	09-009 612-35	31	41	5546	09-009 732-64	19	25
2905	09-009 053-44	7	17	5137	09-009 053-91	15	12	5546	09-009 732-64	21	26
2905	09-009 053-44	7	21	5138B	09-009 067-17	31	39	5556	09-009 813-12	5	16
2905	09-009 053-44	7	39	5152	09-009 053-99	19	12	5579	09-009 815-00	35	10
2905	09-009 053-44	7	49	5156	09-009 813-55	7	33	5589	09-009 732-66	7	7
2905	09-009 053-44	15	15	5157	09-009 804-01	33	28	5594	09-009 732-67	25	4
2905	09-009 053-44	19	13	5157	09-009 804-01	35	25	5629	09-009 813-93	17	12
2905	09-009 053-44	19	13	5163	09-009 054-71	5	10	5629	09-009 813-93	17	24
2905	09-009 053-44	25	21	5163	09-009 054-71	7	15	5630	09-009 814-28	23	46
2905	09-009 053-44	31	33	5170	09-009 813-63	7	53	5632	09-009 814-15	23	21
2905	09-009 053-44	33	33	5184	09-009 054-02	33	48	5633	09-009 814-19	23	32
				5184	09-009 054-02	35	45	5635	09-009 813-86	15	41
				5187	09-009 601-05	35	8	5636	09-009 814-77	29	41
				5198	09-009 054-04	7	4	7041	09-009 814-11	23	9
				5205	09-009 069-93	27	24	7054	91-179 131-15	17	5
				5205	09-009 069-93	29	39	7054	91-179 131-15	17	17
				5231	09-009 054-77	23	27	7102	09-400 792-00	39	12
				5234	09-009 065-83	23	2	7102	09-400 792-00	39	33

# INDEX

PART NO.	PAFF-NO	PAGE	NO. REF.	PART NO.	PAFF-NO	PAGE	NO. REF.	PART NO.	PAFF-NO	PAGE	NO. REF.
7106	09-009 814-63	29	2	204184	09-009 067-19	31	11	210148	09-009 614-23	23	17
8421	09-009 805-06	5	21	204185	09-009 067-40	31	17	210156	09-009 614-28	11	5
9020	09-009 603-80	37	47	204218	09-009 064-49	35	12	210167	09-009 614-38	25	14
9029	09-009 734-85	37	2	204270	09-009 065-55	33	12	210171	09-009 614-41	25	20
9106	09-009 612-64	37	14	204293	09-009 602-07	11	25	210173	09-009 614-43	9	6
137142	09-009 048-30	33	34	204439A	09-009 602-09	23	8	210175	09-009 614-45	27	12
137142	09-009 048-30	35	31	204657	09-009 812-08	19	2	210178A	09-009 814-56	27	3
167066	09-009 601-53	33	32	204657	09-009 812-08	21	2	210188	09-009 614-55	31	6
167066	09-009 601-53	35	29	204754A	09-009 814-34	25	8	210190	09-009 614-57	31	1
179066-02	91-179 066-02	19	47	204757	09-009 068-27	25	10	210192	09-009 614-59	31	29
179066-05	91-179 066-05	19	48	204888	09-009 602-49	35	4	210193	09-009 614-62	31	28
179130-05	91-179 130-05	17	6	205361A	09-009 814-94	33	25	210194	09-009 614-61	31	31
179130-05	91-179 130-05	17	18	205361A	09-009 814-94	35	22	210198	09-009 615-50	31	4
179177-05	91-179 177-05	23	1	205467	09-009 603-76	37	10	210199	09-009 614-63	31	3
179178-05	91-179 178-05	23	7	205468-JA	09-009 612-64	37	15	210200	09-009 614-64	31	23
179257-05	91-179 257-05	31	30	205469-JA	09-009 612-64	37	16	210201-CD	09-009 814-80	31	25
198192	09-009 605-10	7	13	205470AJA	09-009 815-05	37	12	210202	09-009 614-66	31	19
200138	09-009 066-59	5	15	205473	09-009 603-80	37	3	210204	09-009 614-68	31	20
200162A	09-009 815-02	35	13	205724	91-179 361-95	7	12	210205	09-009 614-80	31	21
201002	09-009 601-58	3	5	205764	09-009 612-87	37	7	210223	09-009 614-83	7	10
201002	09-009 601-58	3	8	205765	09-009 612-88	37	8	210230	09-009 614-88	13	30
201037	09-009 049-22	15	4	205835	09-009 800-07	33	41	210231	09-009 614-89	13	32
201037	09-009 049-35	13	9	205835	09-009 800-07	35	38	210232	09-009 614-90	13	16
201056	09-009 049-44	19	6	206128-2	09-009 612-90	11	6	210233	09-009 614-91	3	3
201068	09-009 049-57	21	6	206129	09-009 612-91	11	4	210234	09-009 614-92	3	4
201086	09-009 049-60	21	14	206180	09-009 612-92	19	23	210235	09-009 614-93	13	11
201089	09-009 050-06	21	24	206180	09-009 612-92	27	9	210236	09-009 614-94	13	14
201121A	09-009 050-06	23	2	206181	09-009 814-57	27	14	210237A	09-009 813-79	13	21
201121A	09-009 050-06	23	19	206233	09-009 070-13	31	22	210238-2	09-009 614-96	13	13
201121A	09-009 050-06	23	37	206233	09-009 070-13	37	38	210239	09-009 614-97	13	1
201121A	09-009 050-06	25	4	206336	09-009 604-60	37	5	210240	09-009 614-98	13	3
201121A	09-009 050-06	25	20	206337	09-009 612-93	37	9	210241	09-009 614-99	13	4
201121A	09-009 050-06	27	7	206337	09-009 612-93	37	11	210242	09-009 615-00	13	7
201121A	09-009 050-06	27	24	206431	09-009 070-62	31	24	210244	09-009 615-02	13	25
201152E	09-009 611-00	21	18	206665	09-009 734-86	5	6	210267	09-009 615-22	19	22
201155C	09-009 611-01	21	19	206768	09-009 813-75	11	7	210314	09-009 615-64	27	10
201156	09-009 050-20	29	25	207045	09-400 142-00	35	3	210319	09-009 615-68	15	6
201185	09-009 050-38	25	22	207924	09-400 145-00	25	26	210319	09-009 615-68	19	8
201191	09-009 050-43	33	49	207924	09-400 145-00	29	7	210319	09-009 615-68	21	8
201191	09-009 050-43	35	46	208235	09-009 606-51	27	16	210321	09-009 615-69	29	15
201211B	09-009 050-51	33	40	208245	09-009 612-96	23	28	210323	09-009 615-71	29	17
201211B	09-009 050-51	35	37	208447-BA	09-009 813-81	15	2	210326	09-009 615-74	29	19
201252	09-009 050-73	39	7	208447-BA	09-009 813-81	19	4	210335	09-009 615-80	29	4
201293A	09-009 050-99	31	13	208447-BA	09-009 813-81	21	4	210337	09-009 615-82	29	34
201295	09-009 051-01	31	10	208448	09-009 607-59	15	3	210340	09-009 615-84	29	31
201439A	09-009 612-70	19	1	208448	09-009 607-59	19	5	210349	09-009 615-93	19	11
201439A	09-009 612-70	21	1	208448	09-009 607-59	21	5	210350	09-009 615-94	19	14
201629	12-610 150-45	25	25	208449	09-009 607-60	15	7	210351	09-009 615-95	19	33
201635	09-009 051-55	13	35	208449	09-009 607-60	19	9	210364	09-009 616-03	21	22
201880	09-009 813-83	15	13	208449	09-009 607-60	21	9	210364	09-009 616-03	21	35
202045	12-500 190-45	31	42	208450-BA	09-009 813-82	15	5	210370	09-009 616-06	23	13
202045	12-500 190-45	31	44	208450-BA	09-009 813-82	19	7	210370	09-009 616-06	23	32
202174	09-009 612-71	13	23	208450-BA	09-009 813-82	21	7	210371	09-009 616-07	46	15
202174	09-009 612-71	13	28	208525-B	09-009 807-37	29	22	210373	09-009 616-09	25	15
202174	09-009 612-71	33	20	208537A91	09-009 814-74	29	35	210374	09-009 616-10	46	26
202175	09-009 601-64	5	7	208579	09-009 612-98	27	5	210503	09-009 617-03	23	49
202175	09-009 601-64	13	12	208687	09-009 732-77	31	9	210503	09-009 617-03	27	1
202175	09-009 601-64	13	27	208747	09-009 603-37	37	43	210503	09-009 617-03	27	18
202175	09-009 601-64	17	7	208774A	09-009 814-73	29	33	210503	09-009 617-03	46	26
202175	09-009 601-64	17	19	210002	09-009 613-02	5	11	210510	09-009 617-04	31	32
202175	09-009 601-64	19	50	210028-CD	09-009 815-10	37	45	210511	09-009 617-05	13	18
202176	26-536 3020-9	17	9	210035	09-009 613-27	7	3	210523	09-009 617-14	37	4
202176	26-536 3020-9	17	21	210044	09-009 613-33	7	48	210527	91-179 364-95	5	4
202176	26-536 3020-9	33	17	210055	09-009 613-43	11	15	210528	09-009 617-16	5	8
202286	09-009 051-75	19	20	210056	09-009 613-44	11	18	210529-BA	09-009 812-91	15	1
202286	09-009 051-75	19	26	210057	09-009 613-45	11	19	210529-BA	09-009 812-91	15	11
202286	09-009 051-75	21	27	210057	09-009 613-45	13	6	210530-BA	09-009 812-90	21	3
202286	09-009 051-75	21	35	210058	09-009 613-46	11	20	210531-BA	09-009 812-92	15	3
202286	09-009 051-75	31	38	210062	09-009 613-49	11	1	210532	09-009 617-20	29	28
202286	09-009 051-75	33	57	210067	09-009 613-54	3	9	210533	09-009 617-21	25	27
202286	09-009 051-75	35	54	210068	09-009 613-55	3	10	210584	09-009 617-42	21	20
202287A	09-009 051-76	31	40	210069	09-009 613-56	13	17	210585	09-009 617-43	19	29
202340	09-009 612-73	27	21	210069	09-009 613-56	27	8	210585	09-009 617-43	21	30
202451	09-009 051-81	29	20	210089	09-009 613-70	15	14	210585	09-009 617-43	29	30
202476-1	09-009 732-73	33	1	210091	09-009 613-72	9	8	210679	09-009 617-74	5	3
202476-3	09-009 065-49	33	3	210091	09-009 613-72	9	12	210679	09-009 617-74	5	20
202476-4	09-009 065-50	33	2	210092	09-009 613-73	19	24	210680	09-009 617-75	33	46
202526	09-009 601-69	5	13	210092	09-009 613-73	21	25	210680	09-009 617-75	35	43
202577	09-009 052-61	13	26	210093	09-009 613-74	19	27	210681	09-009 617-76	33	47
202875	09-009 601-76	19	16	210093	09-009 613-74	21	28	210681	09-009 617-76	35	44
202875	09-009 601-76	21	13	210098	09-009 613-77	19	21	210682	09-009 617-77	33	51
204006	09-009 061-82	5	18	210099A	09-009 813-96	19	17	210682	09-009 617-77	35	48
204052A	09-009 064-62	21	24	210100	09-009 613-79						

# INDEX

PART NO.	PFAFF-NO	PAGE	NO. REF.	PART NO.	PFAFF-NO	PAGE	NO. REF.	PART NO.	PFAFF-NO	PAGE	NO. REF.
210690	09-009 617-85	33	30	213010-91	09-009 813-65	9	2	213106	09-009 812-94	21	27
0690	09-009 617-85	35	27	213010A91	09-009 813-69	9	17	213106	09-009 812-94	23	5
0691A91	09-009 814-93	33	24	213012-92	09-009 813-66	9	3	213106	09-009 812-94	23	22
0691A91	09-009 814-93	35	21	213013-92	09-009 813-67	9	10	213106	09-009 812-94	23	40
10692	09-009 617-86	33	35	213013A42	09-009 813-71	9	18	213106	09-009 812-94	25	7
210692	09-009 617-86	35	32	213014-92	09-009 813-76	11	11	213106	09-009 812-94	25	23
210729	09-009 617-97	25	2	213015	09-009 813-78	13	20	213106	09-009 812-94	27	10
210729	09-009 617-97	25	18	213017-91	09-009 813-88	17	2	213106	09-009 812-94	29	3
210731	09-009 618-51	9	19	213017-91	09-009 813-88	17	14	213107	09-009 812-93	21	26
210732	09-009 618-52	9	21	213018-91	09-009 813-89	17	3	213107	09-009 812-93	23	4
210733	09-009 618-50	9	14	213018-91	09-009 813-89	17	15	213107	09-009 812-93	23	21
210750	09-009 618-26	15	25	213020	09-009 813-90	17	4	213107	09-009 812-93	23	39
210751	09-009 618-49	15	24	213020	09-009 813-90	17	16	213107	09-009 812-93	25	6
210766	09-009 618-38	33	22	213021	09-009 814-03	19	41	213107	09-009 812-93	25	22
211190	09-009 814-33	25	6	213022-92	09-009 813-92	17	10	213107	09-009 812-93	27	9
211301	12-305 174-15	25	16	213022A92	09-009 813-95	17	22	213107	09-009 812-93	29	2
211313	96-721 026-95	7	5	213023	09-009 813-91	17	8	213108	09-009 812-97	21	25
211316	09-009 732-89	33	9	213023	09-009 813-91	17	20	213108	09-009 812-97	23	3
211317	09-009 732-90	33	4	213024	09-009 814-00	19	36	213108	09-009 812-97	23	27
211318	09-009 732-91	33	8	213025	09-009 814-05	19	44	213108	09-009 812-97	23	44
211319	09-009 732-92	33	11	213026-91	09-009 813-62	7	52	213108	09-009 812-97	25	5
211346-BD	09-009 813-77	11	21	213026-92	09-009 814-06	21	15	213108	09-009 812-97	25	21
211358	09-009 732-95	21	21	213031-92	09-009 814-27	23	45	213108	09-009 812-97	27	8
211358	09-009 732-95	21	34	213032-92	09-009 814-26	23	42	213108	09-009 812-97	29	1
211358	09-009 732-95	23	16	213033	09-009 814-12	23	10	213108A	09-009 816-70	23	20
211358	09-009 732-95	23	34	213034	09-009 814-16	23	22	213108A	09-009 816-70	23	38
211360	09-009 732-96	25	1	213035	09-009 814-24	23	37	213109-20	09-009 815-22	46	6
211360	09-009 732-96	25	17	213036	09-009 814-13	23	16	213110-30	09-009 815-35	46	6
211360	09-009 732-96	27	3	213037	09-009 814-21	23	34	213111-30	09-009 815-32	46	6
211360	09-009 732-96	27	20	213038	09-009 814-23	23	36	213112-30	09-009 815-20	46	6
211369	09-009 732-97	31	2	213039-92	09-009 814-25	23	38	213113-30	09-009 815-38	46	6
211391	09-009 733-03	21	11	213042	09-009 814-17	23	25	213114-16	09-009 815-26	23	29
211525	09-009 733-08	11	10	213043	09-009 814-14	23	20	213114-16	09-009 815-26	23	46
211526	09-009 733-09	11	13	213044	09-009 814-18	23	29	213114-16	09-009 815-26	27	15
211527	09-009 733-10	11	9	213045	09-009 814-20	23	33	213115-16	09-009 815-42	23	8
211528	09-009 733-11	11	16	213046	09-009 814-18	23	31	213115-16	09-009 815-42	25	28
211529	09-009 733-12	11	14	213047	09-009 814-31	25	1	213118-16	09-009 815-30	23	9
211531	09-009 733-14	31	7	213048-92	09-009 814-32	25	3	213118-16	09-009 815-30	23	30
211532	09-009 735-08	31	5	213049	09-009 814-35	25	12	213118-16	09-009 815-30	23	47
211557	09-009 732-30	23	24	213050	09-009 814-36	25	11	213118-16	09-009 815-30	25	29
211557	09-009 732-30	25	8	213051	09-009 814-37	25	17	213118-16	09-009 815-30	27	16
211557	09-009 732-30	25	24	213052	09-009 814-39	25	23	213222	09-009 814-54	27	1
211557	09-009 732-30	27	11	213053	09-009 814-40	25	24	213250	09-009 813-84	15	20
211557	09-009 732-30	29	4	213054	09-009 814-60	27	19	213251	09-009 812-88	15	16
211600	09-009 732-35	23	15	213056-91	09-009 814-82	31	34	213252	09-009 812-89	15	18
211600	09-009 732-35	23	33	213057	09-009 814-83	31	35	213253	09-009 814-08	21	21
211600	09-009 732-35	23	50	213058	09-009 814-84	31	36	213254	09-009 814-07	21	19
211600	09-009 732-35	25	16	213059	09-009 814-85	31	45	213255	09-009 814-02	19	39
211600	09-009 732-35	27	2	213060-91	09-009 813-85	15	36	213256	09-009 813-97	19	31
211600	09-009 732-35	27	19	213062	09-009 813-47	7	29	213257	09-009 814-09	21	23
211659A	09-009 813-99	19	35	213063	09-009 813-54	7	32	213258	09-009 813-98	19	32
211719	09-009 733-31	23	17	213064	09-009 813-61	7	50	213259	09-009 816-71	15	42
211719	09-009 733-31	23	35	213066	09-009 813-42	7	23	213261-CD	09-009 813-41	7	22
211719	09-009 733-31	27	4	213067	09-009 813-46	7	27	213262	09-009 813-59	7	43
211719	09-009 733-31	27	21	213069	09-009 813-43	7	24	213263	09-009 813-60	7	46
211799-CD	09-009 813-16	7	1	213070-91	09-009 813-58	7	40	213264-91	09-009 817-00	27	23
211800	09-009 804-39	15	9	213075	09-009 813-19	7	16	213265-91	91-009 812-19	35	1
211801	09-009 804-37	15	10	213076	09-009 813-21	7	18	213266-91	09-009 814-96	35	2
211941	09-009 733-46	29	36	213077-91	09-009 813-39	7	20	213270	09-009 814-98	35	6
211958	09-009 733-49	7	9	213078-91	09-009 814-91	33	19	213271	09-009 814-99	35	9
211959-BD	09-009 813-18	7	6	213081	09-009 814-86	33	13	213272	09-009 815-01	35	11
211987A	09-009 815-31	23	10	213082	09-009 814-87	33	14	213273	09-009 813-56	7	34
211987A	09-009 815-31	23	31	213083	09-009 815-04	37	1	213274-91Y	09-009 813-64	9	1
211987A	09-009 815-31	23	48	213084	09-009 814-59	27	17	213274A91Y	09-009 813-68	9	16
211987A	09-009 815-31	25	30	213085	09-009 814-65	29	13	213274B91Y	09-009 813-72	9	20
211987A	09-009 815-31	27	17	213086	09-009 814-62	29	1	213275-91Y	09-009 813-87	17	1
211991	09-009 732-32	25	14	213087	09-009 814-75	29	37	213275A91Y	09-009 813-94	17	13
211993	09-009 732-33	21	33	213088	09-009 814-76	29	40	230047	09-400 154-00	5	2
211993	09-009 732-33	35	19	213089	09-009 814-78	29	42	231506	91-011 214-12	23	40
211993	09-009 732-33	35	19	213090	09-009 814-92	33	21	232508	09-400 156-00	23	3
212006	09-009 732-34	35	20	213091-91	09-009 814-89	33	16	240038	91-179 151-05	19	49
212039	09-400 152-00	29	11	213094-91	09-009 813-57	7	38	240043	91-179 221-15	7	41
212049	09-009 733-82	29	16	213095	09-009 814-95	33	37	240044	91-179 222-15	7	45
212050	09-009 733-83	29	5	213100-30	09-009 815-18	46	6	240052	91-179 447-05	5	5
212179	09-009 734-32	25	30	213100-40	09-009 813-00	35	18	240094	09-009 813-08	3	19
212186	09-009 734-34	13	5	213101-16	09-009 812-98	21	15	240097	09-400 164-00	33	7
212188	09-009 734-35	31	18	213101-16	09-009 812-98	21	30	240102	09-400 167-00	21	31
212281	91-179 362-95	5	19	213101-16	09-009 812-98	25	12	240148	09-009 813-80	13	24
212503	09-009 804-31	15	22	213104-16	09-009 815-29	21	16	240162	09-009 813-45	7	26
2635-ME	09-009 804-32	15	23	213104-16	09-009 815-29	21	31	240166	09-009 813-74	11	3
3000-CD	09-009 816-68	3	1	213105	09-009 812-96	21	23	240167	09-009 814-04	19	43
213001-CD	09-009 816-68	3	7	213105	09-009 812-96	23	1	240168	09-009 814-		

# INDEX

PART NO.	PAFF-NO	PAGE	NO. REF.	PART NO.	PAFF-NO	PAGE	NO. REF.	PART NO.	PAFF-NO	PAGE	NO. REF.
301762	09-009	814-38	25 19								
302350	09-009	815-25	21 32								
303312A	09-009	617-99	33 43								
303312A	09-009	617-99	35 40								
303313	09-009	618-00	33 44								
303313	09-009	618-00	35 41								
304086	09-009	814-55	27 2								
306920	09-400	437-00	7 30								
307003	09-009	734-76	25 5								
9A3002	09-009	814-81	31 27								